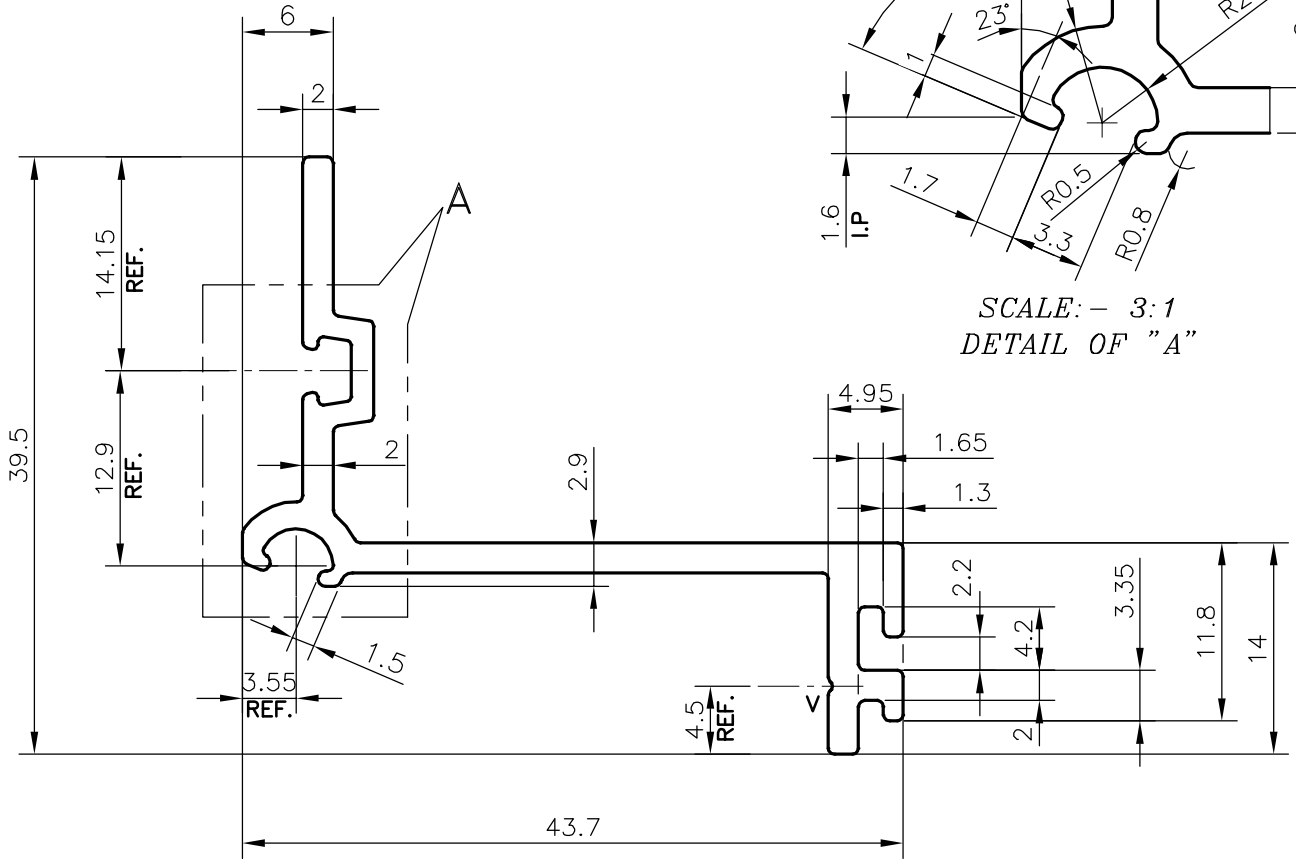
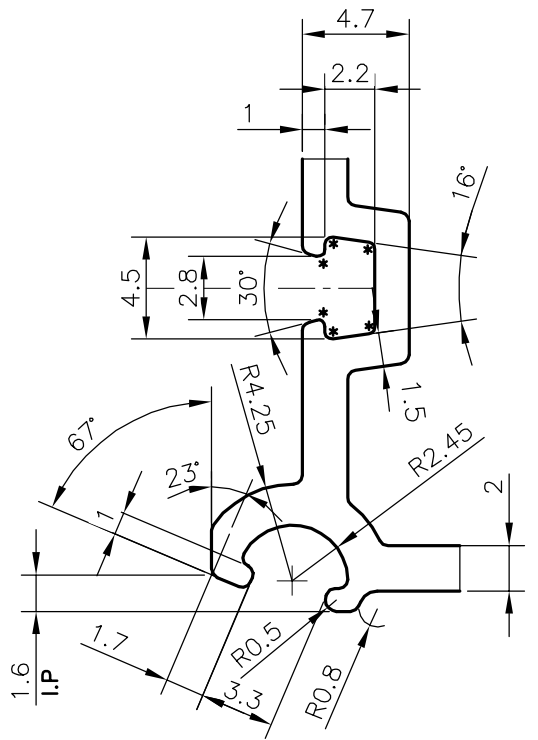
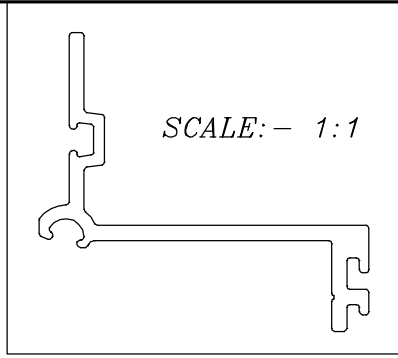


P-21404

21934



V="V" GROOVE 0.3x90° (1 PLACE)
* = 0.3mm RADIUS (6 PLACES)

TOLERANCES ON OVERALL WIDTHS & WIDTHS ACROSS FLATS OF BARS, & REGULAR SECTIONS

UPTO 6.40mm - ±0.20	UPTO 32.0mm - ±0.38	UPTO 120.0mm - ±0.85	1. STRAIGHTNESS=1.7mm/M 2. TWIST=1.7mm/M 3. ANGULARITY= ±2° 4. FLATNESS =0.007xWIDTH
UPTO 10.0mm - ±0.23	UPTO 50.0mm - ±0.46	UPTO 160.0mm - ±1.02	
UPTO 12.0mm - ±0.25	UPTO 60.0mm - ±0.53	UPTO 200.0mm - ±1.14	
UPTO 16.0mm - ±0.28	UPTO 80.0mm - ±0.69	UPTO 250.0mm - ±1.40	
UPTO 25.0mm - ±0.30	UPTO 100.0mm - ±0.75	UPTO 300.0mm - ±1.65	



SYMBOL OF QUALITY
AN ISO 9001 COMPANY

JINDAL ALUMINIUM LTD.
BANGALORE-560073 (INDIA)

	NAME	DATE
DRAWN	DARPAN	02-09-2020
CHECKED		
APPROVED	B.NATARAJA	12/09/2020
SCALE		2:1
AREA mm ²		185.996
PERIMETER mm.		192.562
WEIGHT kg/m		0.502
DRAWING No.		SECTION No.
P-21404		-
21934		21934

- ALL DIMENSIONS ARE IN mm.
- ROUND OFF ALL SHARP CORNERS WITH 0.40 mm.
- TOLERANCES WILL BE AS PER IS:3965-1981, UNLESS OTHERWISE SPECIFIED

PARTY'S NAME	AASTHA ALUMINA (P) LIMITED, GURGAON
PARTY'S DRAWING No.	AA-T1-WSA-11
ALLOY & TEMPER	6063 T6
DESCRIPTION	WINDOW SHUTTER ADDONE SECTION