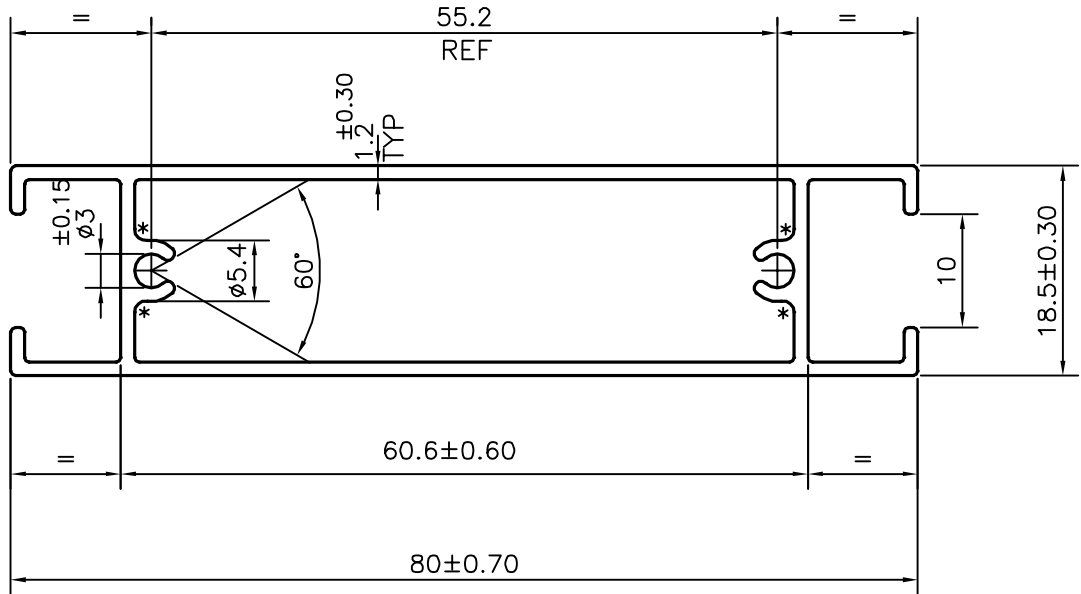
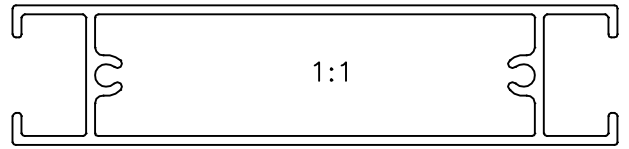


P-21581

21937



AVERAGE WEIGHT:-0.646 kg/m TO 0.788 kg/m

\* = RADIUS 1.0 (4 PLACES)



SYMBOL OF QUALITY  
AN ISO 9001 COMPANY

**JINDAL ALUMINIUM LTD.**  
BANGALORE-560073 (INDIA)

	NAME	DATE
DRAWN	J.P.KAUSHIK	26-09-2020
CHECKED		
APPROVED	B.NATARAJA	29-09-2020
SCALE		1.5:1
AREA mm <sup>2</sup>		265.002
PERIMETER mm.		256.766
WEIGHT kg/m		0.716
DRAWING No.	SECTION No.	
P-21581	-	
21937	21937	

1. ALL DIMENSIONS ARE IN mm.
2. ROUND OFF ALL SHARP CORNERS WITH 0.40 mm.
3. TOLERANCES WILL BE AS PER IS:6477-1983 , UNLESS OTHERWISE SPECIFIED

PARTY'S NAME	KAMAKHYA ANODIZE & COATING, GUWAHATI
PARTY'S DRAWING No.	AS PER SAMPLE
ALLOY & TEMPER	6063 T6
DESCRIPTION	WINDOW SECTION