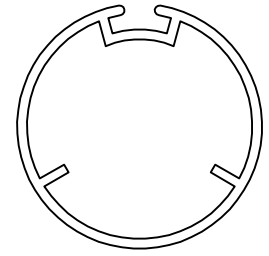
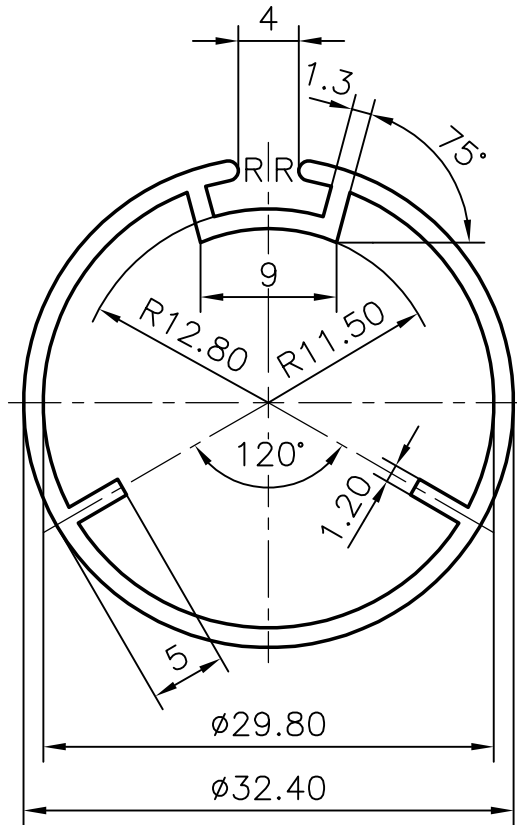


2725

22001



1:1



R = FULL RADIUS (2)

JINDAL ALUMINIUM LTD.**BANGALORE-560073**

NAME

DATE

DRAWN

R.D.Sharma

09-06-97

CHECKED

APPROVED

1. ALL DIMENSIONS ARE IN mm.
2. ROUND OFF ALL SHARP CORNERS WITH 0.4 mm.
3. TOLERANCES WILL BE AS PER IS: 6477-1983 ,UNLESS OTHERWISE SPECIFIED

PARTY'S NAME

-

SCALE

2:1

PARTY'S DRAWING No.

-

WEIGHT kg/m

0.399

ALLOY & TEMPER

HE9 WP

SECTION No.

22001

LENGTH

3658 mm.

DRAWING No.

DESCRIPTION

MISCELLANEOUS TUBE

22001