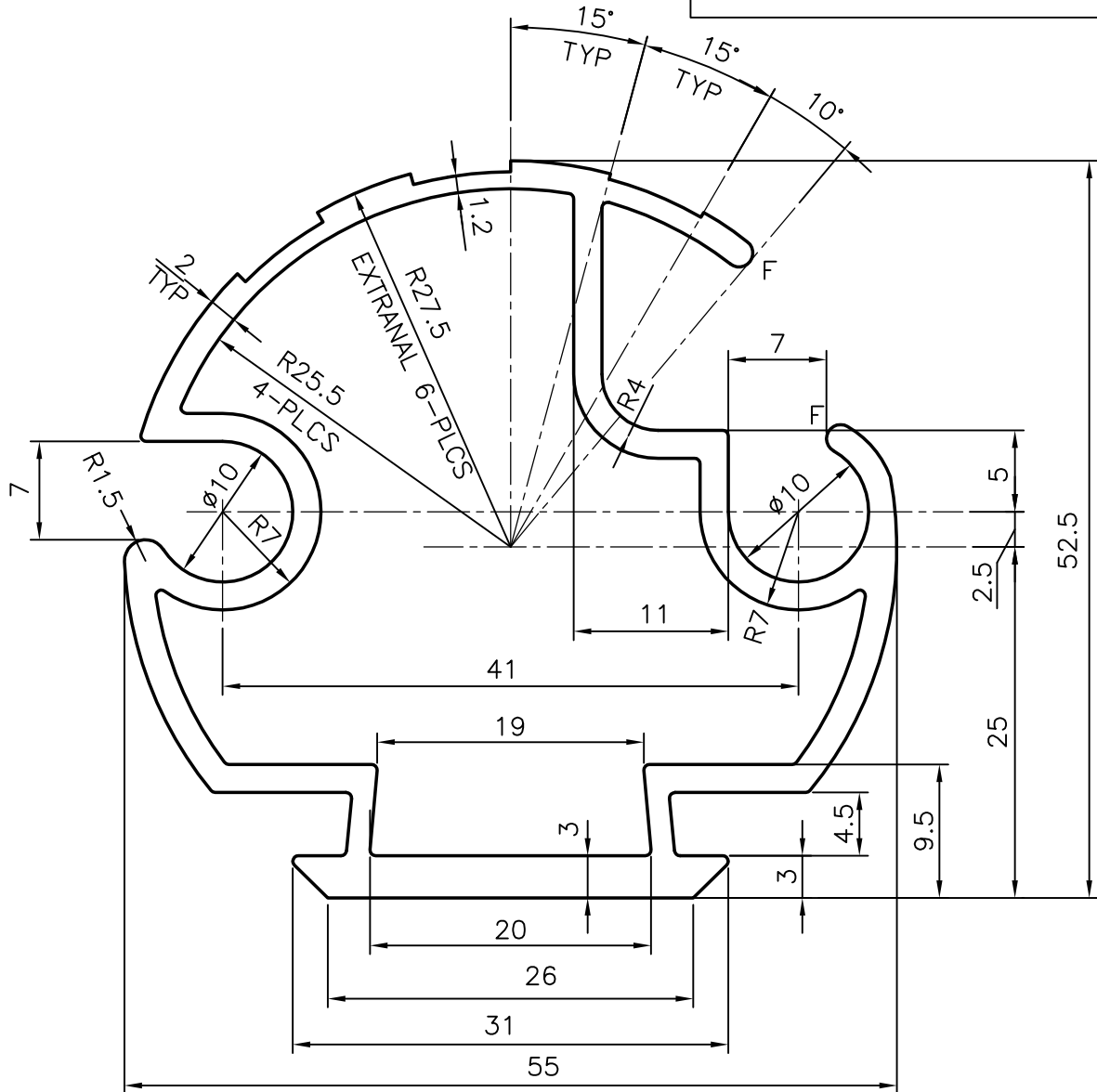
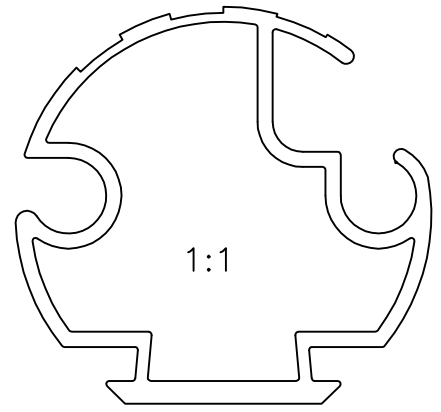


2741

22003

NOTE:-

1. GENERAL WALL THICKNESS 2.0 mm
2. F = FULL RADIUS (2)



SYMBOL OF QUALITY
AN ISO 9002 COMPANY

JINDAL ALUMINIUM LTD.
BANGALORE-560073 (INDIA)

| | NAME | DATE |
|----------|-------------|------------|
| DRAWN | J.P.KAUSHIK | 13-09-2005 |
| CHECKED | | |
| APPROVED | | |

1. ALL DIMENSIONS ARE IN mm.
2. ROUND OFF ALL SHARP CORNERS WITH 0.40 mm.
3. TOLERANCES WILL BE AS PER IS: 6477-1983 UNLESS OTHERWISE SPECIFIED

| | |
|----------------------|---------|
| SCALE | 2:1 |
| AREA mm ² | 473.748 |
| PERIMETER mm. | 270.12 |
| WEIGHT kg/m | 1.276 |

| | | | | | |
|---------------------|------------------------|-------------|-------|-------------|------|
| PARTY'S NAME | - | DRAWING No. | 2741 | SECTION No. | 2741 |
| PARTY'S DRAWING No. | - | 22003 | 22003 | | |
| ALLOY & TEMPER | HEP WP | | | | |
| DESCRIPTION | VENETIAN BLIND SECTION | | | | |