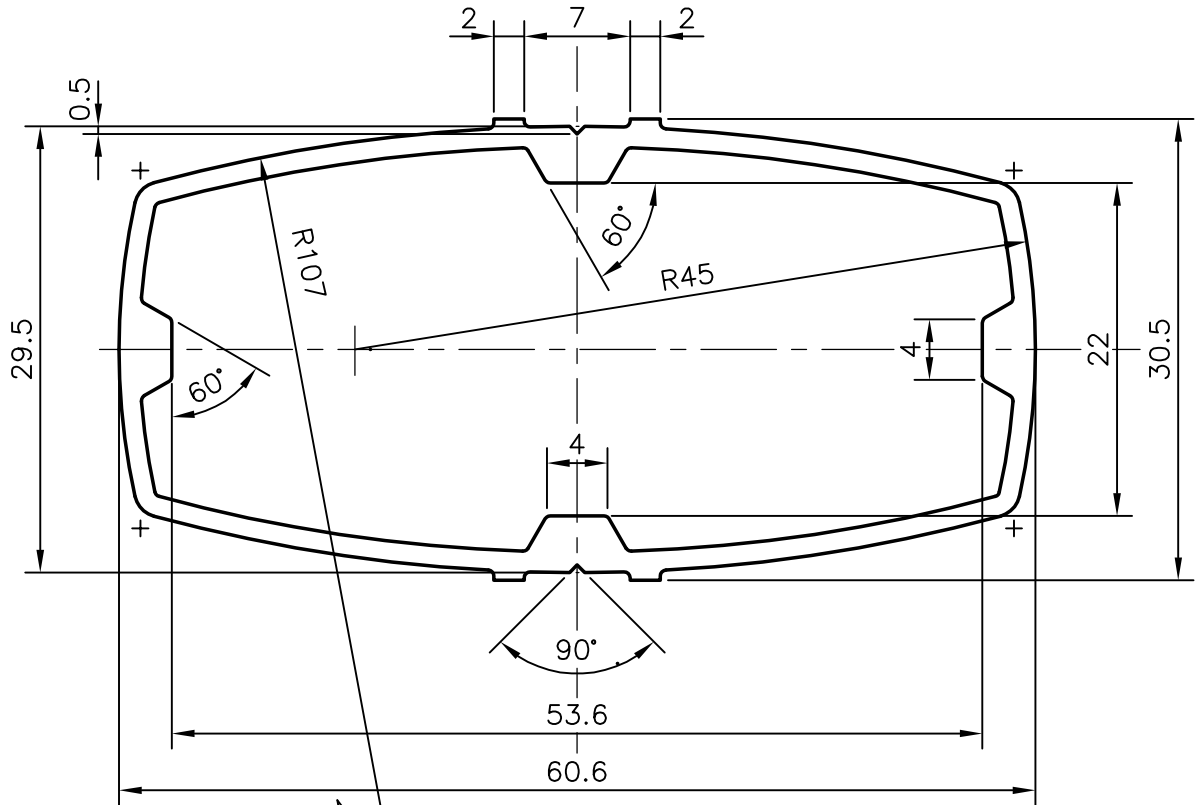
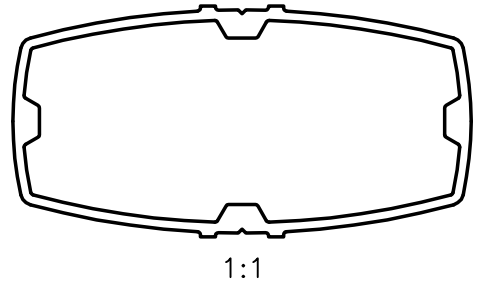


2749
22004



GENERAL WALL THICKNESS:- 1.35 mm.
+ = 1.75 RADIUS (4)

JINDAL ALUMINIUM LTD.
BANGALORE-560073

	NAME	DATE
DRAWN	R.D.Sharma	25-01-98
CHECKED		
APPROVED		
SCALE	2:1	
WEIGHT kg/m	0.709	
SECTION No.	22004	
DRAWING No.	22004	

1. ALL DIMENSIONS ARE IN mm.
2. ROUND OFF ALL SHARP CORNERS WITH 0.4 mm.
3. TOLERANCES WILL BE AS PER IS: 6477-1983 ,UNLESS OTHERWISE SPECIFIED

PARTY'S NAME	GENERAL CATEGORY
PARTY'S DRAWING No.	NIL
ALLOY & TEMPER	HE9 WP
LENGTH	3658 mm. & 4572 mm.
DESCRIPTION	MISCELLANEOUS TUBE