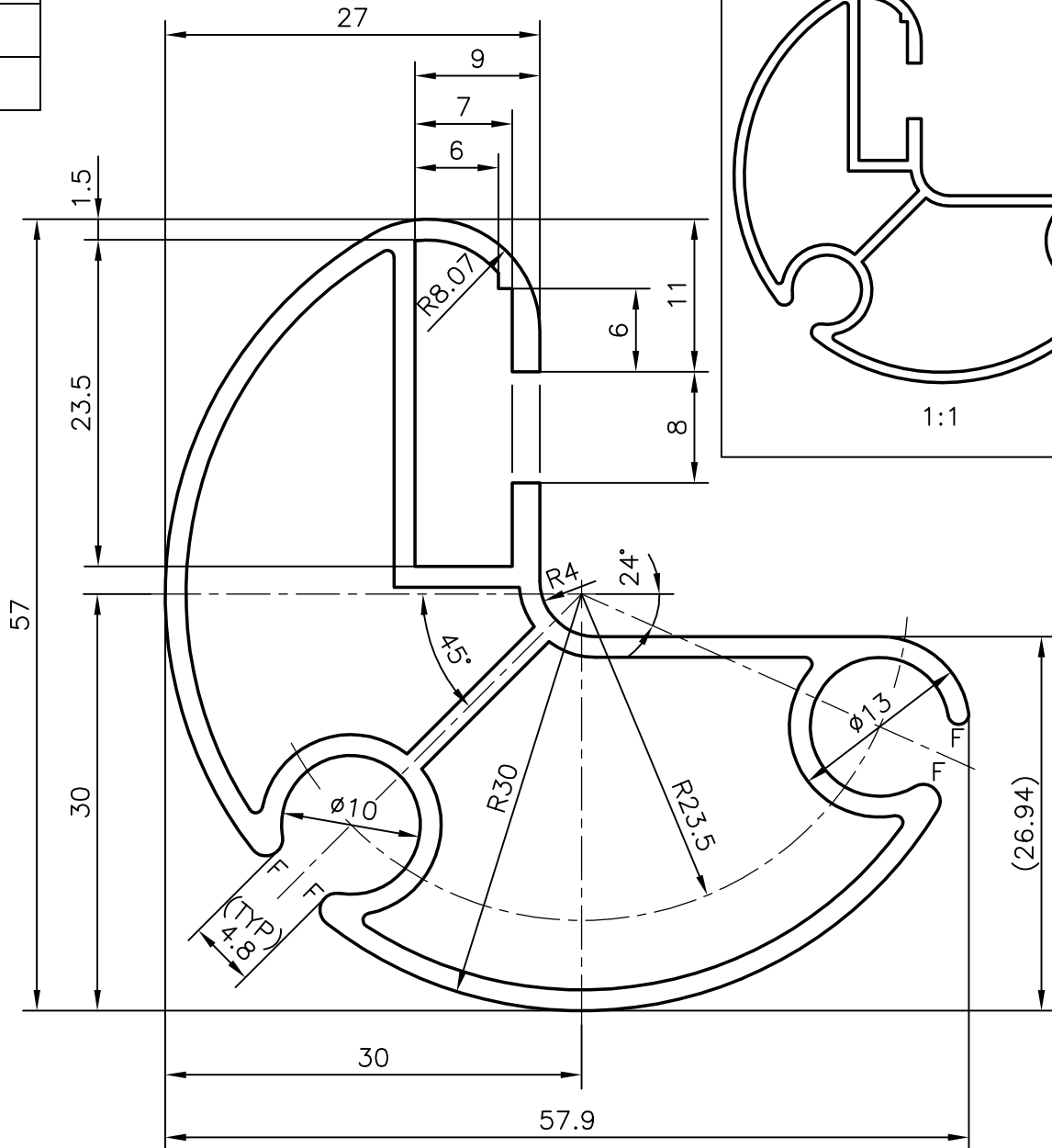


S134

2758

22005



1. GENERAL WALL THICKNESS:- 1.50 mm.
2. F = FULL RADIUS (4)

JINDAL ALUMINIUM LTD.

BANGALORE-560073

1. ALL DIMENSIONS ARE IN mm.
2. ROUND OFF ALL SHARP CORNERS WITH 0.4 mm.
3. TOLERANCES WILL BE AS PER IS: 6477-1983 ,UNLESS OTHERWISE SPECIFIED

JINDAL ALUMINIUM LTD. BANGALORE-560073		NAME		DATE
		DRAWN	R.D.Sharma	19-02-97
PARTY'S NAME		CHECKED		
PARTY'S DRAWING No.		APPROVED		
ALLOY & TEMPER		SCALE		2:1
LENGTH		WEIGHT kg/m		1.060
DESCRIPTION		SECTION No.		22005
		DRAWING No.		22005

MAC LOUVERDRAPE PVT. LTD., NEW DELHI

NIL (AS PER SAMPLE)

HE9 WP

4572 mm. (15')

MISCELLANEOUS TUBE