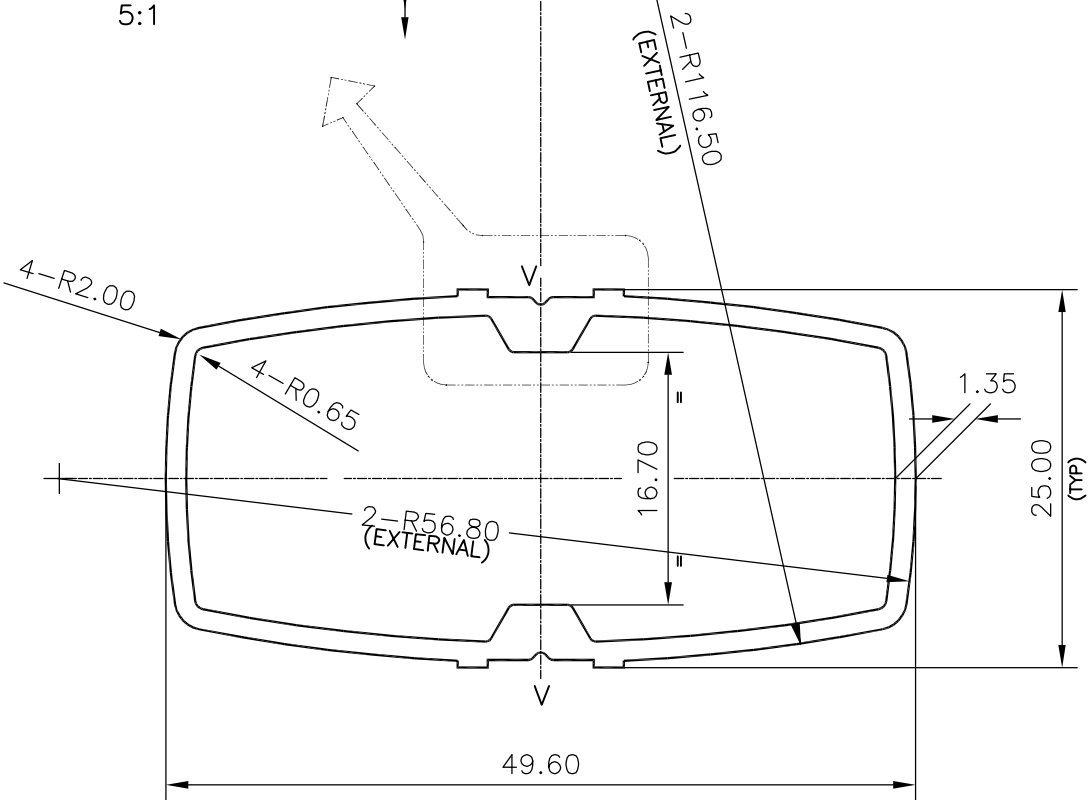
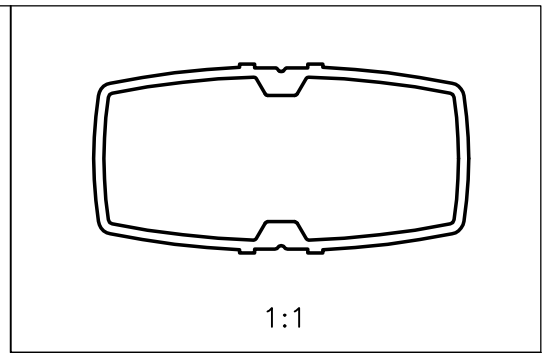
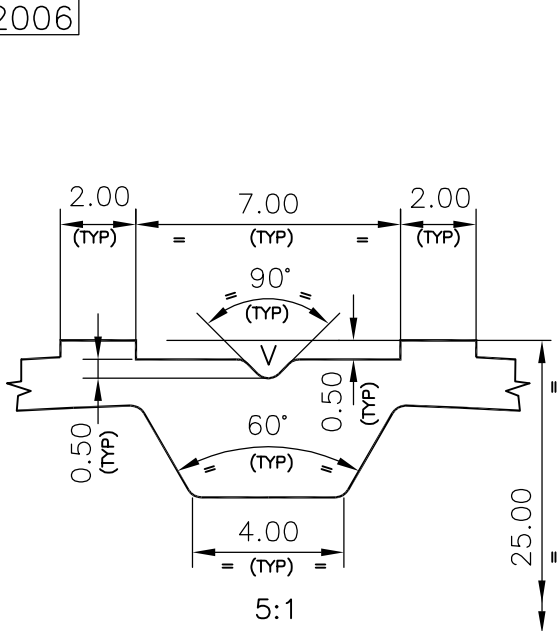


2760
22006



UNSPECIFIED WALL THICKNESS 1.35 mm
V = GROOVE (2)

JINDAL ALUMINIUM LTD.
BANGALORE-560073

1. ALL DIMENSIONS ARE IN mm.
2. ROUND OFF ALL SHARP CORNERS WITH 0.4 mm.
3. TOLERANCES WILL BE AS PER IS: 6477-1983 UNLESS OTHERWISE SPECIFIED

	NAME	DATE
DRAWN	P,KULKARNI	31-5-99
CHECKED		
APPROVED		
SCALE	2:1	
WEIGHT kg/m	0.545	
SECTION No.	22006	
DRAWING No.	22006	

PARTY'S NAME	GENERAL CATEGORY-DELHI MARKET
PARTY'S DRAWING No.	NIL
ALLOY & TEMPER	HE9 WP
LENGTH	AS PER REQUIREMENTS
DESCRIPTION	MISCELLANEOUS TUBE