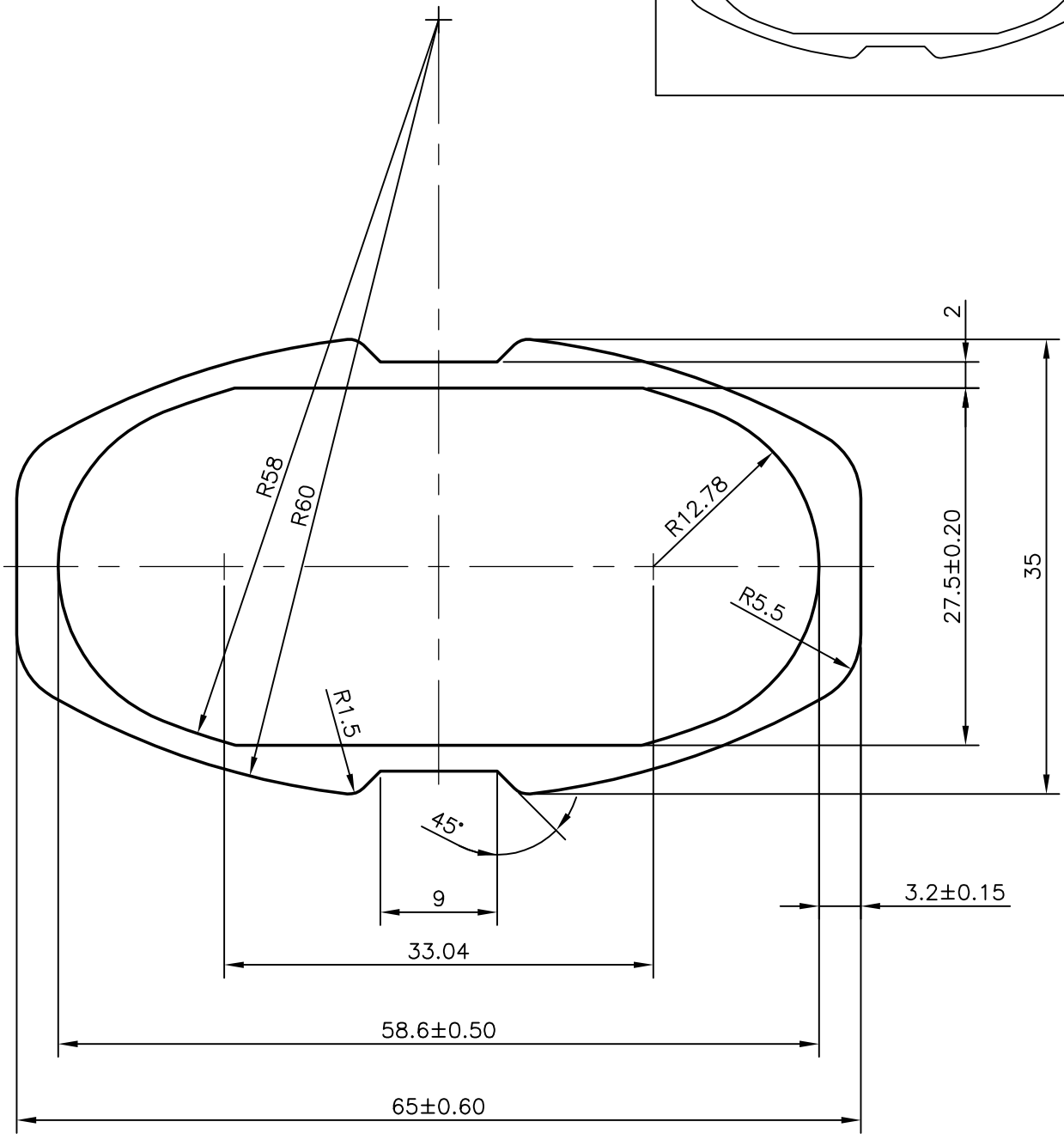
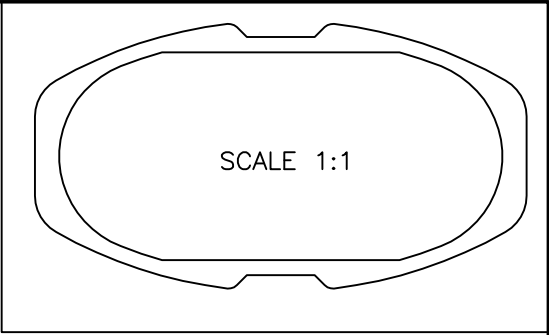


OX070
2789
22011



JINDAL ALUMINIUM LTD.
BANGALORE-560073 (INDIA)

	NAME	DATE
DRAWN	RAGHAVENDRA	01-09-2006
CHECKED		
APPROVED		

1. ALL DIMENSIONS ARE IN mm.
2. ROUND OFF ALL SHARP CORNERS WITH 0.40 mm.
3. TOLERANCES WILL BE AS PER IS:6477-1983 UNLESS OTHERWISE SPECIFIED

SCALE	3:1
AREA mm ²	449.904
PERIMETER mm.	171.114
WEIGHT kg/m	1.215

PARTY'S NAME	ALPS INDUSTRIES, GHAZIBAD
PARTY'S DRAWING No.	AS PER SKETCH
ALLOY & TEMPER	HE9 WP
DESCRIPTION	MISC. TUBE

DRAWING No.	SECTION No.
X070	X070
2789	2789
22011	22011