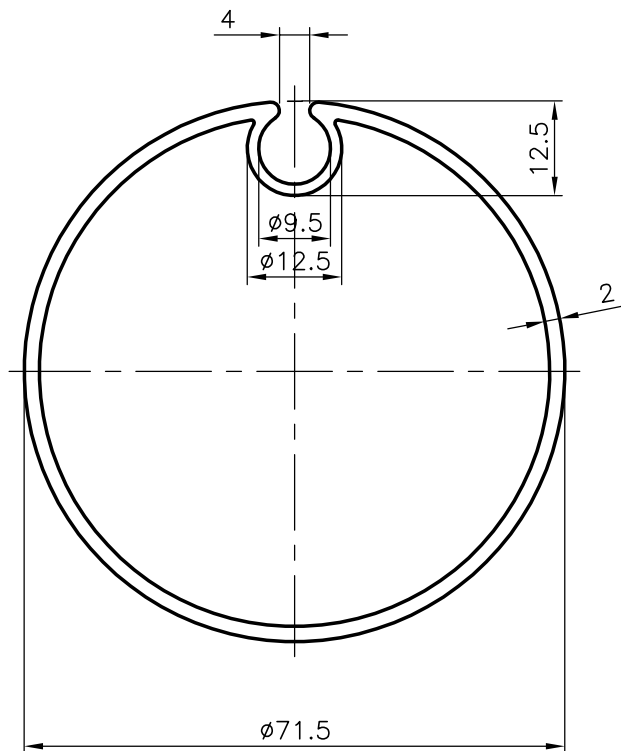



S389
2798
22014



 SYMBOL OF QUALITY AN ISO 9001 COMPANY	JINDAL ALUMINIUM LTD. BANGALORE-560073 (INDIA)	NAME		DATE
		DRAWN	RAGHAVENDRA	23-12-2006
1. ALL DIMENSIONS ARE IN mm. 2. ROUND OFF ALL SHARP CORNERS WITH 0.40 mm. 3. TOLERANCES WILL BE AS PER IS:6477-1983 UNLESS OTHERWISE SPECIFIED		CHECKED		
		APPROVED		
PARTY'S NAME ALPS INDUSTRIES LTD., PONDICHERRY		SCALE		1:1
		AREA mm ²		467.849
PARTY'S DRAWING No. AS PER SKETCH		PERIMETER mm.		248.7
		WEIGHT kg/m		1.260
ALLOY & TEMPER HE9 WP		DRAWING No.	SECTION No.	
		S389	S389	
DESCRIPTION MISC. TUBE		2798	2798	
		22014	22014	