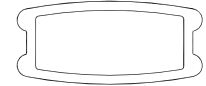


S536

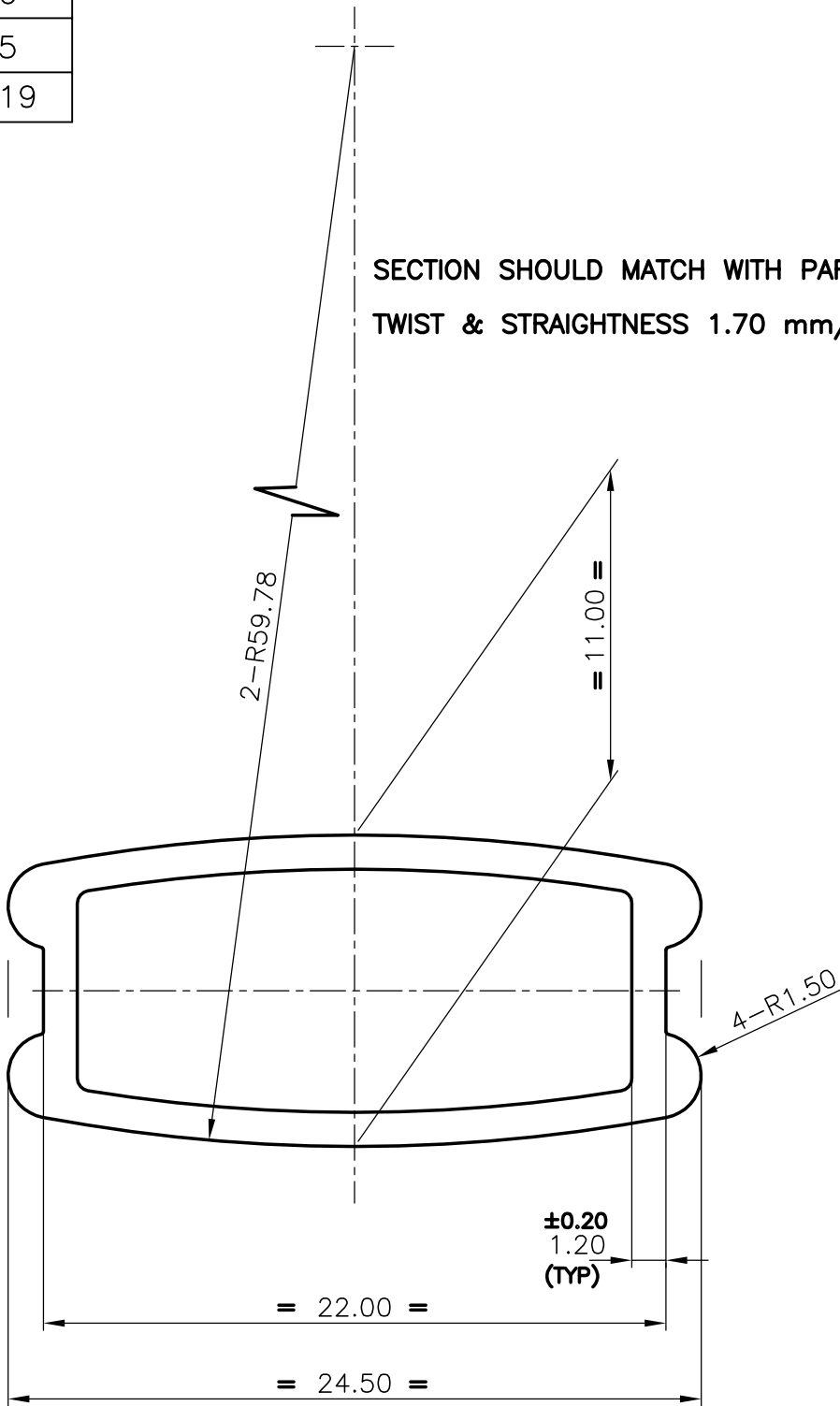
2815

22019



1:1

SECTION SHOULD MATCH WITH PARTY'S TWO PLASTIC SAMPLES
TWIST & STRAIGHTNESS 1.70 mm/m OF LENGTH



GENERAL WALL THICKNESS ± 0.20 1.20 mm



SYMBOL OF QUALITY
AN ISO 9002 COMPANY

JINDAL ALUMINIUM LTD.
BANGALORE-560073 (INDIA)

	NAME	DATE
DRAWN	P,KULKARNI	6-7-2000
CHECKED		
APPROVED		

1. ALL DIMENSIONS ARE IN mm.
2. ROUND OFF ALL SHARP CORNERS WITH 0.40 mm.
3. TOLERANCES WILL BE AS PER I.S. 6477-1983 UNLESS OTHERWISE SPECIFIED

PARTY'S NAME	KIRAN ENTERPRISES.,BANGALORE.	SCALE	4:1
PARTY'S DRAWING No.	I-6635	WEIGHT kg/m	0.217
ALLOY & TEMPER	HE9 WP	SECTION No.	22019
DESCRIPTION	MISC TUBE	DRAWING No.	22019