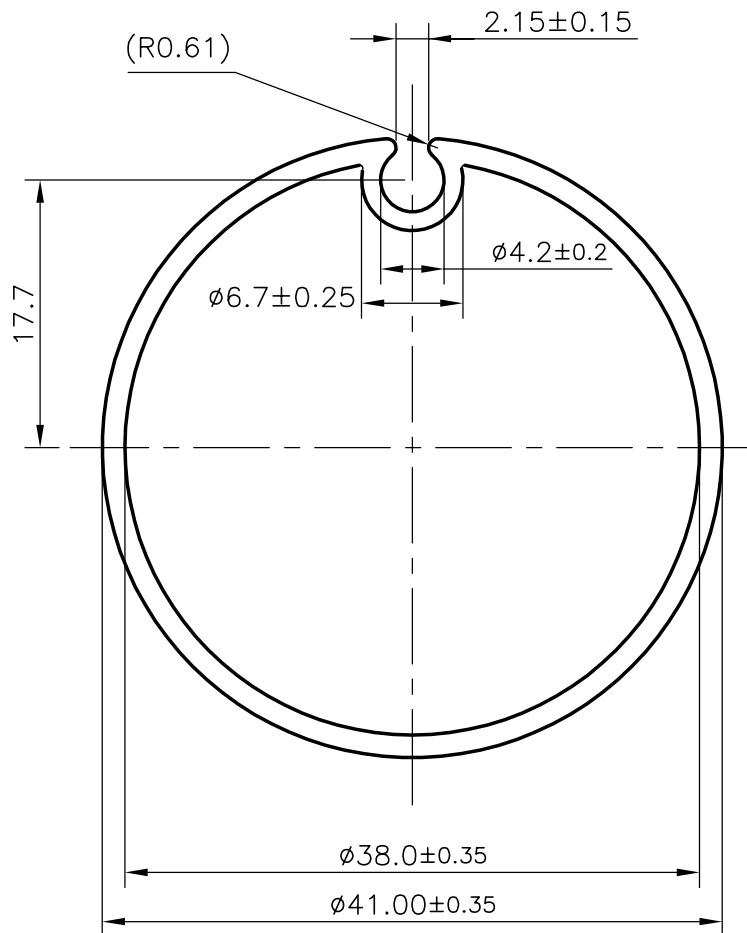
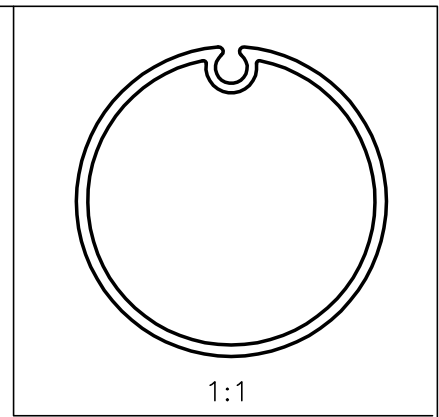


P-3111-2

S644


2820

22021



ISSUE No-2	I.D CHANGED FROM 38.25 AND WEIGHT 0.464 TO 38.0 AND 0.529 ACCORDING TO THE PARTY REQUIREMENT	06-04-01	RANGASWAMY		
------------	--	----------	------------	--	--

ISSUE No	DESCRIPTION	DATE	DRAWN	CHECKED	APPROVED
----------	-------------	------	-------	---------	----------

 SYMBOL OF QUALITY AN ISO 9002 COMPANY	JINDAL ALUMINIUM LTD. BANGALORE-560073 (INDIA)	DRAWN	NAME	DATE
		CHECKED	RANGASWAMY	01-03-01
		APPROVED		

1. ALL DIMENSIONS ARE IN mm. 2. ROUND OFF ALL SHARP CORNERS WITH 0.40 mm. 3. TOLERANCES WILL BE AS PER IS 6477-1983 UNLESS OTHERWISE SPECIFIED		SCALE	2:1
--	--	-------	-----

PARTY'S NAME	AMBITRENDS PVT. LTD., BANGALORE	WEIGHT kg/m	0.529
--------------	---------------------------------	-------------	-------

PARTY'S DRAWING No.	A-011	SECTION No.	22021
---------------------	-------	-------------	-------

ALLOY & TEMPER	6063 T6	DRAWING No.	
----------------	---------	-------------	--

DESCRIPTION	MISCELLANEOUS TUBE		22021
-------------	--------------------	--	-------