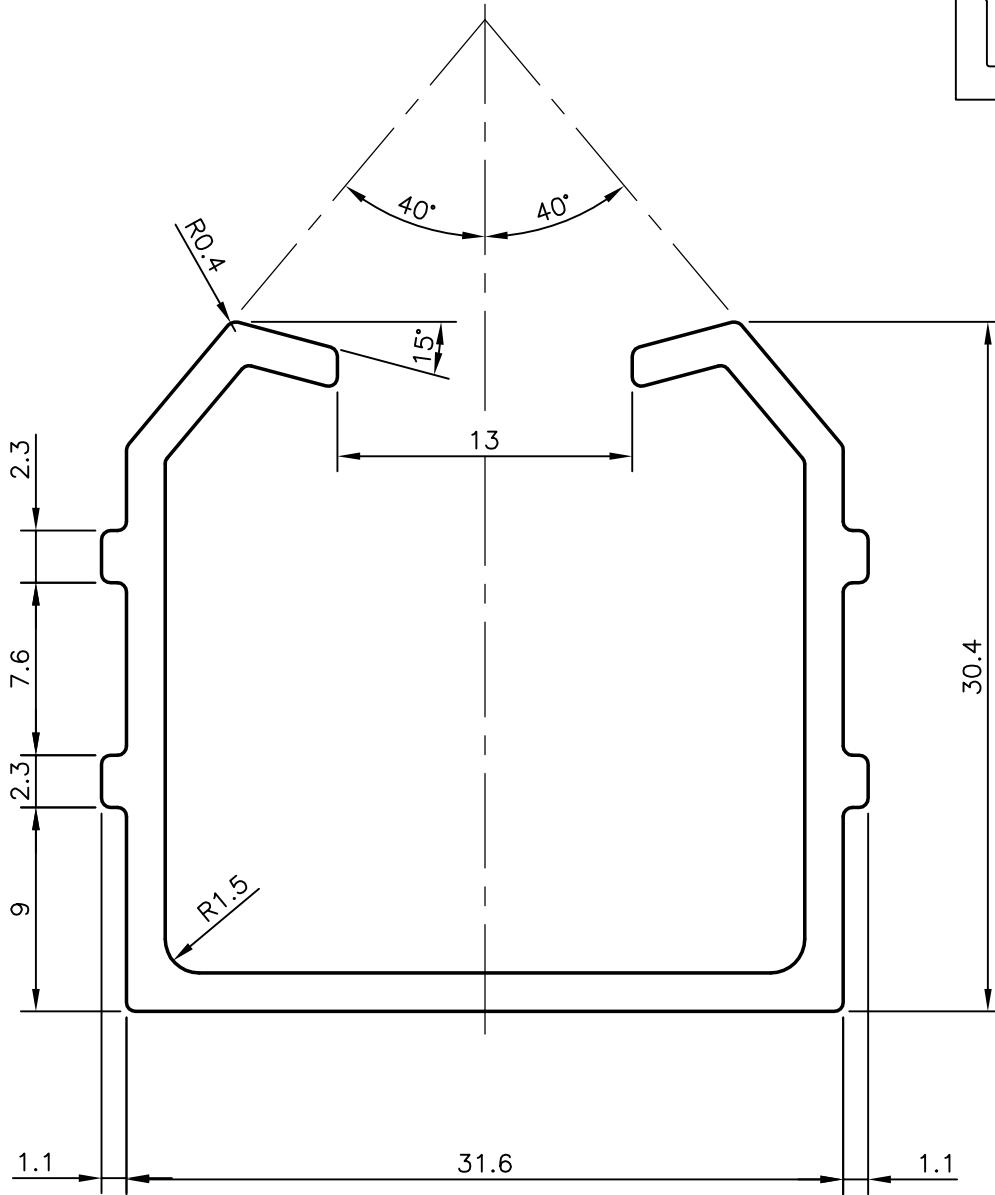
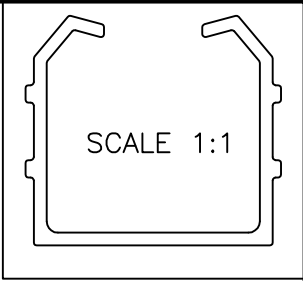



3893
22024
-



WALL THICKNESS-1.70 mm

 SYMBOL OF QUALITY AN ISO 9001 COMPANY	<b>JINDAL ALUMINIUM LTD.</b> BANGALORE-560073 (INDIA)	NAME		DATE
		DRAWN	PRASANNA.H.	16-12-2006
1. ALL DIMENSIONS ARE IN mm. 2. ROUND OFF ALL SHARP CORNERS WITH 0.40 mm. 3. TOLERANCES WILL BE AS PER IS:3965-1981 UNLESS OTHERWISE SPECIFIED		CHECKED		
		APPROVED		
PARTY'S NAME -		SCALE		3:1
		AREA mm <sup>2</sup>		179.429
PARTY'S DRAWING No. -		PERIMETER mm.		205.191
		WEIGHT kg/m		0.483
ALLOY & TEMPER HE9 WP		DRAWING No.		SECTION No.
		3893		3893
DESCRIPTION SLIDING DOOR GEAR CHANNEL		22024		22024
		-		-