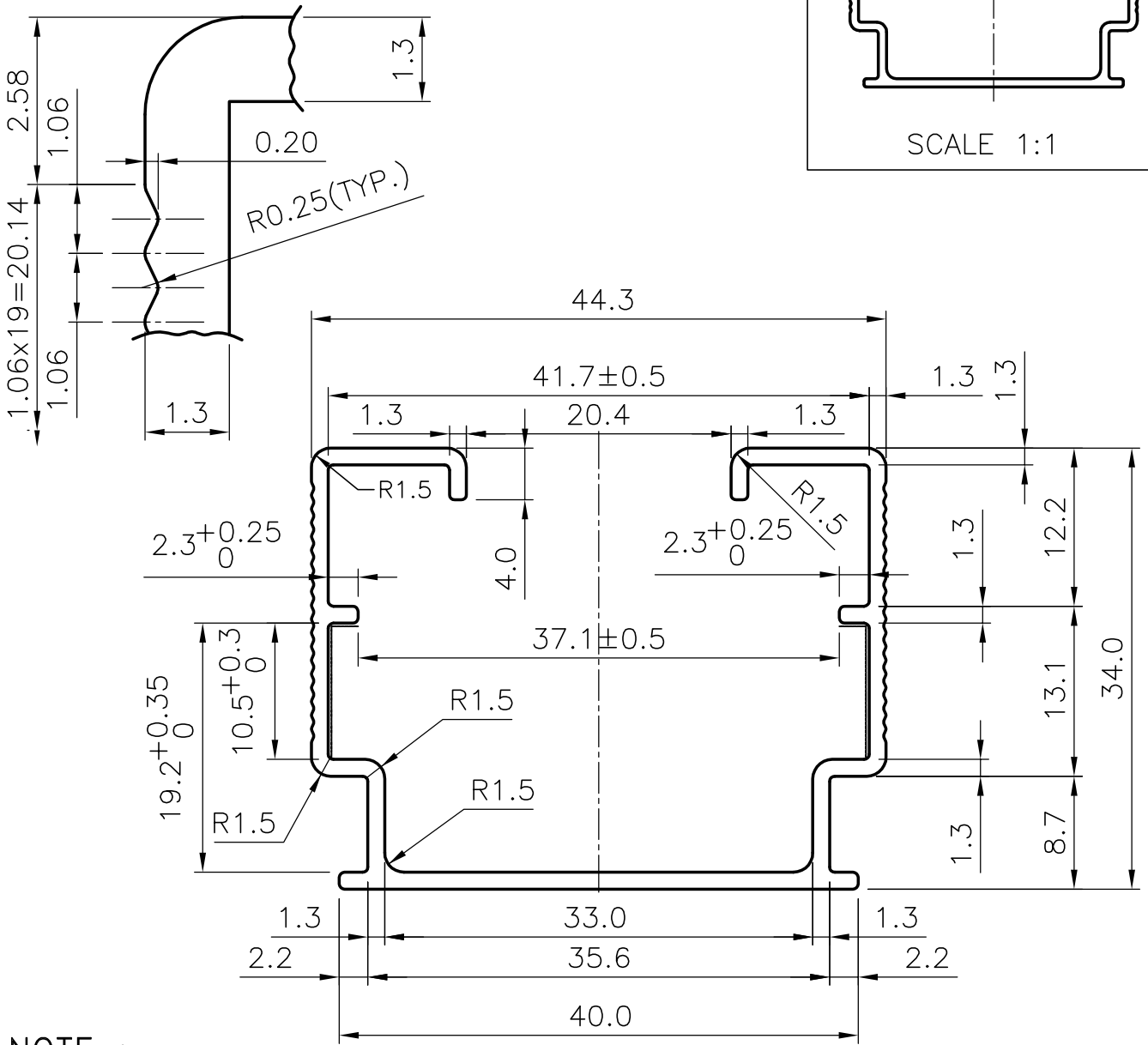
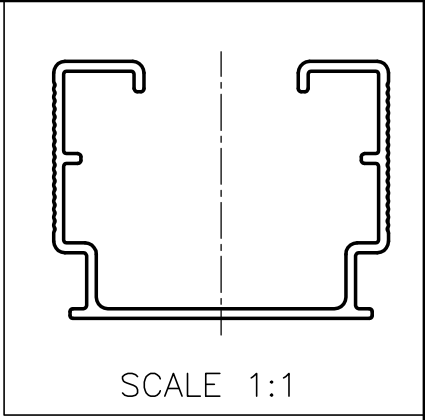



ACTUAL WT. Kg/m : 0.491



**NOTE :-**

1. ALL DIMENSIONS ARE IN mm.
2. ROUND OFF ALL SHARP CORNERS WITH 0.015" R/0.4 R.
3. SURFACE MARKED THUS SHOULD BE SMOOTH FINISH.

22025
3909

 SYMBOL OF QUALITY AN ISO 9002 COMPANY	<b>JINDAL ALUMINIUM LTD.</b> BANGALORE-560073 (INDIA)	NAME		DATE
		DRAWN	R.D.SHARMA	7-5-90
		CHECKED		
1. ALL DIMENSIONS ARE IN mm. 2. ROUND OFF ALL SHARP CORNERS WITH 0.40 mm. 3. TOLERANCES WILL BE AS PER IS:6477-1983 UNLESS OTHERWISE SPECIFIED		APPROVED		
		SCALE	2:1, 10:1	
PARTY'S NAME	LUMEL SHADES PVT. LTD. BOMBAY.	WEIGHT kg/m	0.491	
PARTY'S DRAWING No.	-	SECTION No.	22025	
ALLOY & TEMPER	HE9 WP	DRAWING No. 22025		
DESCRIPTION	-			