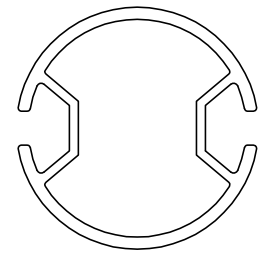
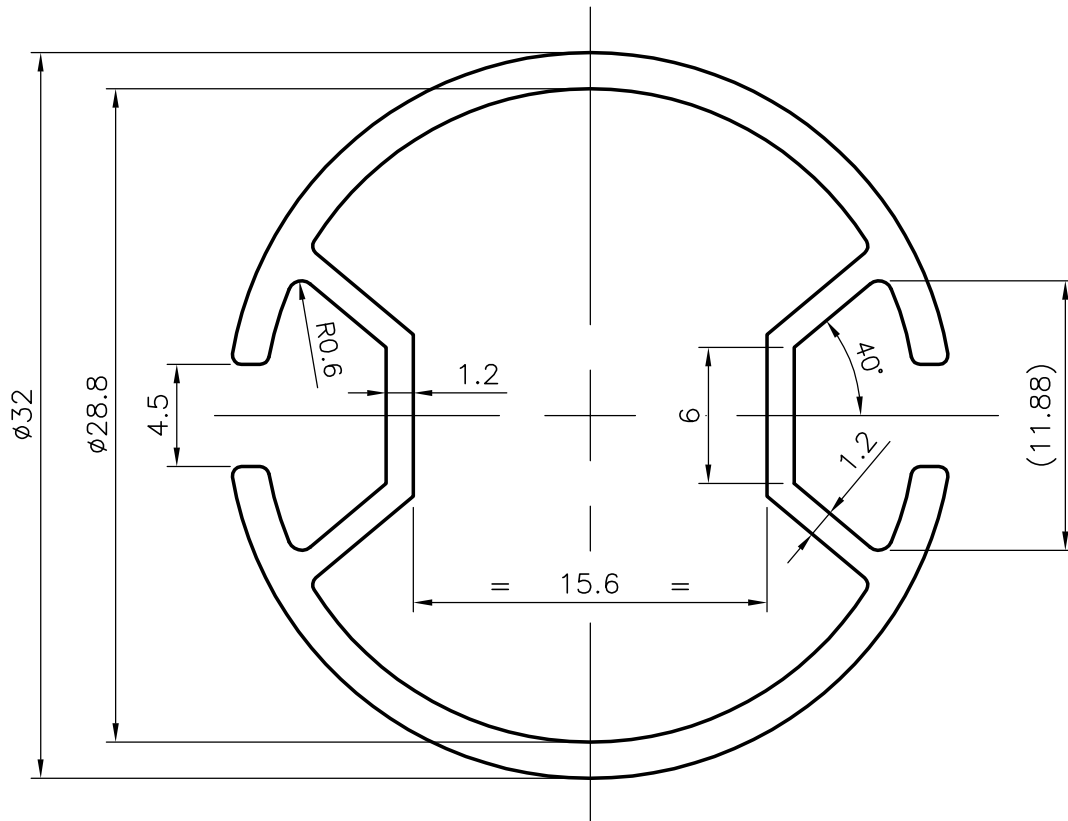



P-3623
 X217
 27100
 22045



SCALE 1:1



 SYMBOL OF QUALITY AN ISO 9002 COMPANY	JINDAL ALUMINIUM LTD. BANGALORE-560073 (INDIA)		NAME	DATE
		DRAWN	RAGHAVENDRA	03-11-01
1. ALL DIMENSIONS ARE IN mm. 2. ROUND OFF ALL SHARP CORNERS WITH 0.40 mm. 3. TOLERANCES WILL BE AS PER IS 6477-1983 UNLESS OTHERWISE SPECIFIED		CHECKED		
		APPROVED		
		SCALE	3:1 & 1:1	
PARTY'S NAME	MEROFORM INDIA PVT LTD ,. NOIDA	WEIGHT kg/m	0.489	
PARTY'S DRAWING No.	AS PER DRAWING	PERIMETER	145.75mm	
ALLOY & TEMPER	HE9 WP	SECTION No.	22045	
DESCRIPTION	MISC TUBE	DRAWING No.	22045	