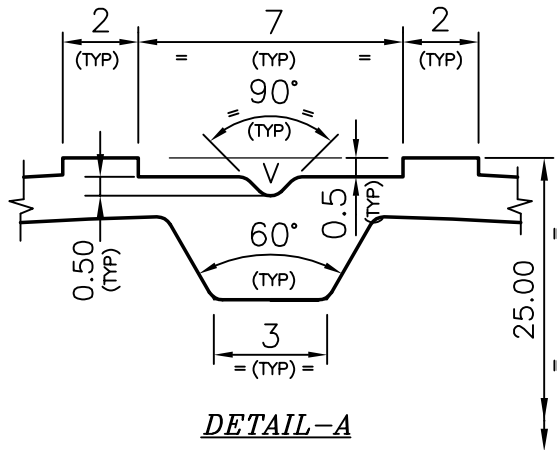
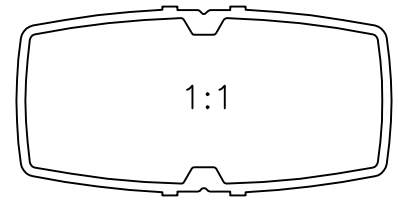
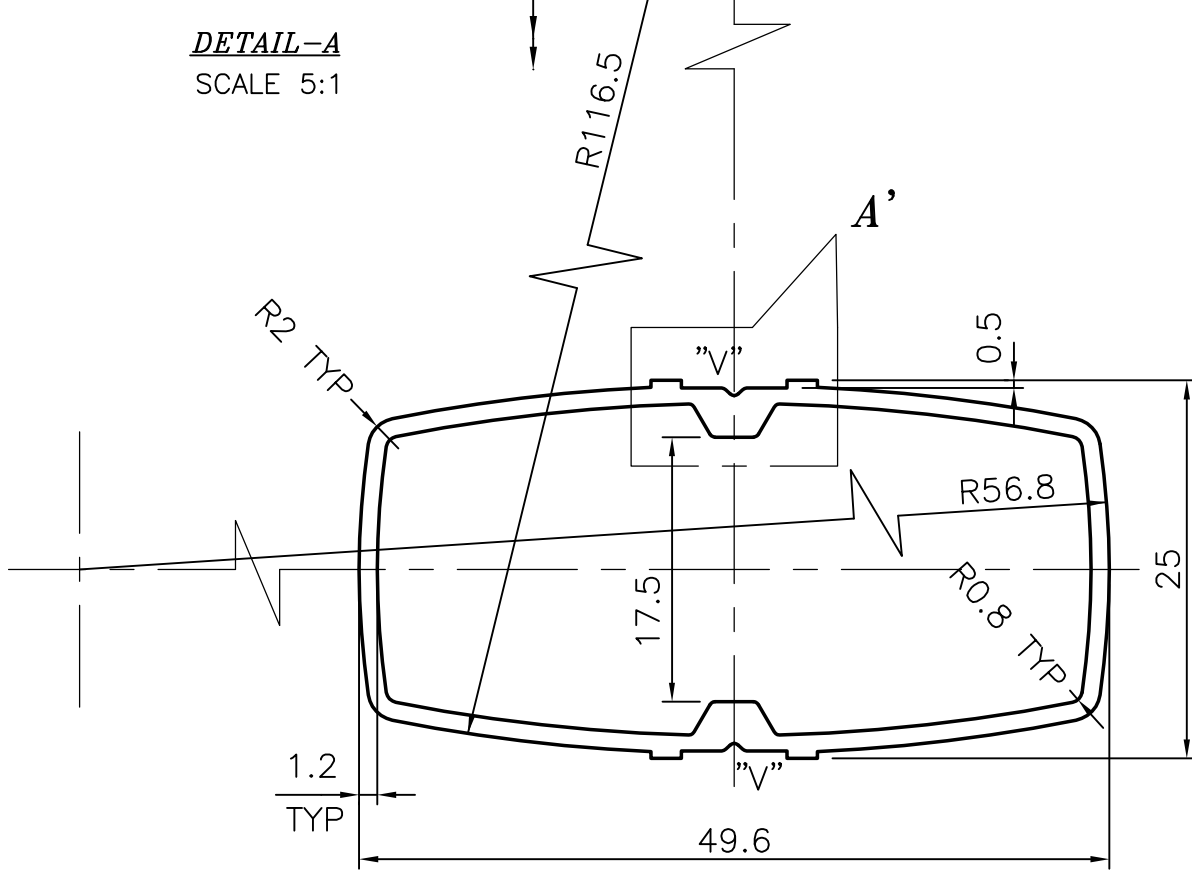


P-5426-1

22049



**DETAIL-A**  
SCALE 5:1



V = "V" GROOVE 0.5x90°xR0.4



SYMBOL OF QUALITY  
AN ISO 9001 COMPANY

**JINDAL ALUMINIUM LTD.**  
BANGALORE-560073 (INDIA)

	NAME	DATE
DRAWN	MALINGAPPA	12-05-2005
CHECKED		
APPROVED		

1. ALL DIMENSIONS ARE IN mm.
2. ROUND OFF ALL SHARP CORNERS WITH 0.40 mm.
3. TOLERANCES WILL BE AS PER IS:6477-1983 UNLESS OTHERWISE SPECIFIED

SCALE	2:1
AREA mm <sup>2</sup>	175.566
PERIMETER mm.	138.598
WEIGHT kg/m	0.474

PARTY'S NAME	GENERAL CATEGORY, DELHI MARKET
PARTY'S DRAWING No.	LIGHTER OF SECTION NO. 22006
ALLOY & TEMPER	HE9 WP
DESCRIPTION	VENETIAN BLINDS

DRAWING No.	SECTION No.
P-5426-1	-
22049	22049