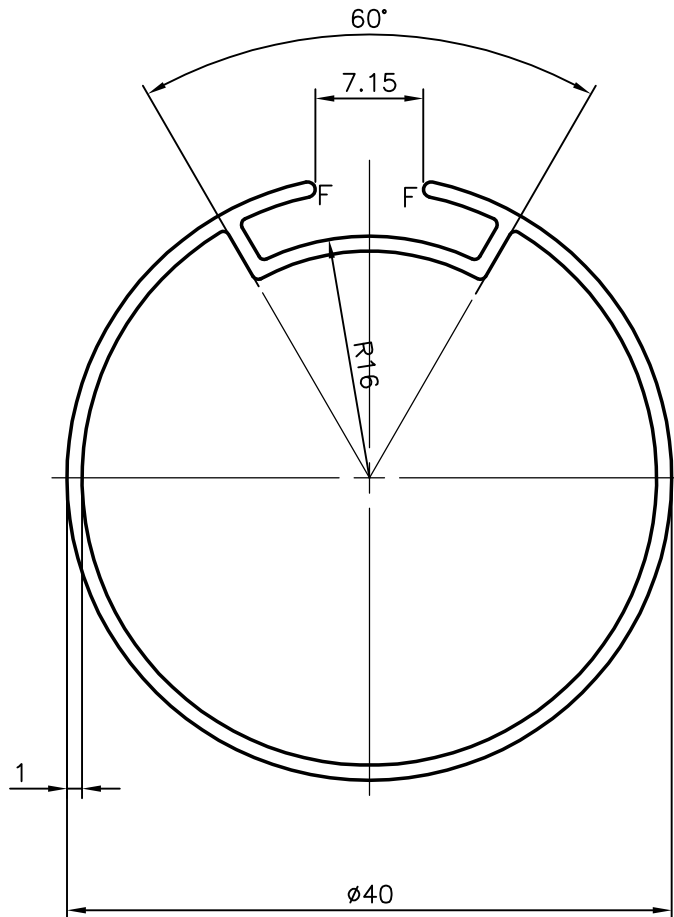
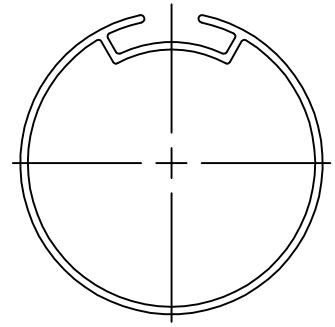


P-6514

22061



GENERAL WALL THICKNESS 1.0 mm (TYP)
F = FULL RADIUS



SYMBOL OF QUALITY
AN ISO 9001 COMPANY

JINDAL ALUMINIUM LTD.
BANGALORE-560073 (INDIA)

	NAME	DATE
DRAWN	J.P.KAUSHIK	21-06-2006
CHECKED		
APPROVED		
SCALE		2:1
AREA mm ²		137.474
PERIMETER mm.		150.358
WEIGHT kg/m		0.371
DRAWING No.		
	P-6514	-
	22061	22061

1. ALL DIMENSIONS ARE IN mm.
2. ROUND OFF ALL SHARP CORNERS WITH 0.40 mm.
3. TOLERANCES WILL BE AS PER IS:6477-1983 UNLESS OTHERWISE SPECIFIED

PARTY'S NAME	GENERAL CATEGORY, DELHI MARKET
PARTY'S DRAWING No.	AS PER SAMPLE
ALLOY & TEMPER	HE9 WP
DESCRIPTION	VENETIAN SECTION