

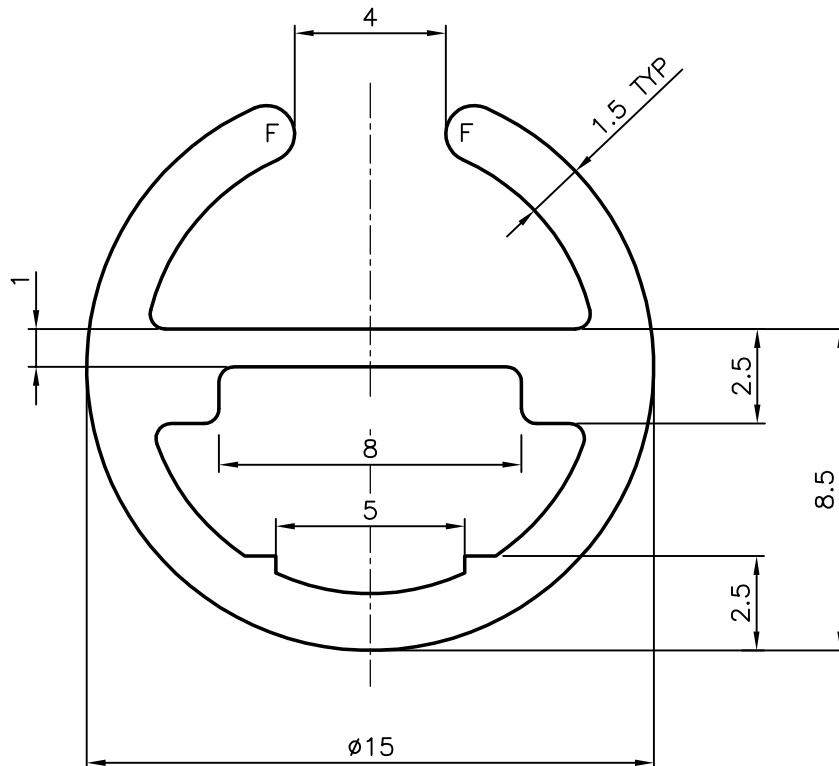
P-6589-4

22066

-



SCALE 1:1



F = FULL RADIUS (2 PLACES)



SYMBOL OF QUALITY
AN ISO 9001 COMPANY

JINDAL ALUMINIUM LTD.
BANGALORE-560073 (INDIA)

	NAME	DATE
DRAWN	RAGHAVENDRA	18-08-2006
CHECKED		
APPROVED		
SCALE		5:1
AREA mm ²		75.289
PERIMETER mm.		68.627
WEIGHT kg/m		0.203
DRAWING No.		SECTION No.
P-6589-4		-
22066		22066

1. ALL DIMENSIONS ARE IN mm.
2. ROUND OFF ALL SHARP CORNERS WITH 0.40 mm.
3. TOLERANCES WILL BE AS PER IS:6477-1983 UNLESS OTHERWISE SPECIFIED

PARTY'S NAME	MAC LIFESTYLE PRODUCT PVT. LTD. NEW DELHI (GENERAL CATEGORY)
PARTY'S DRAWING No.	AS PER SKETCH
ALLOY & TEMPER	HE9 WP
DESCRIPTION	VENETIAN BLIND SECTION