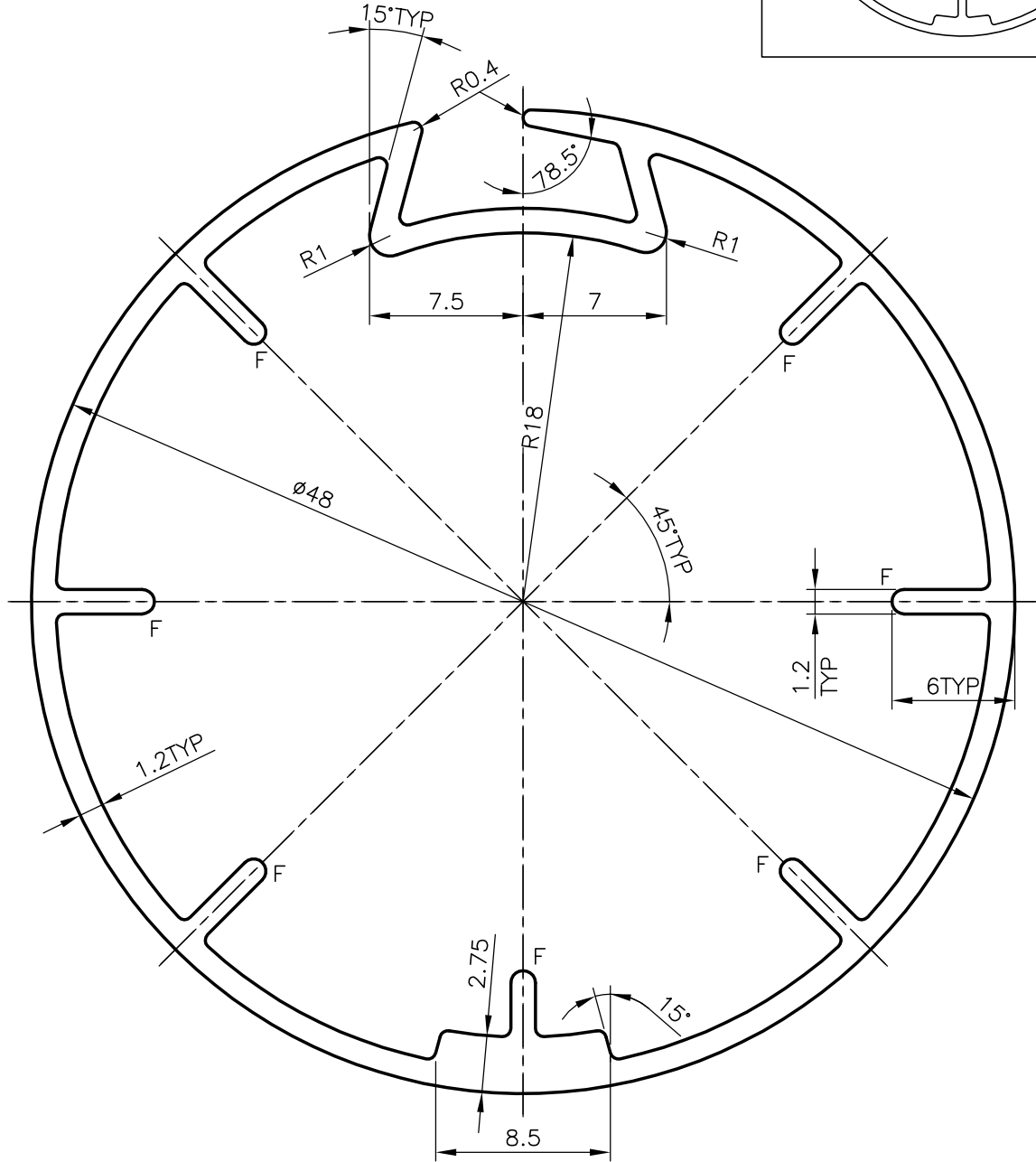
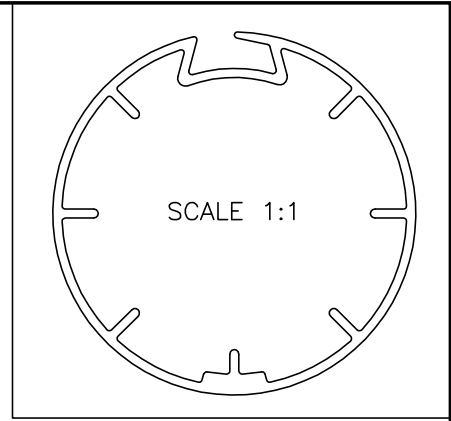


P-5217

S1392

22068

GENERAL WALL THICKNESS = 1.20mm



SYMBOL OF QUALITY
AN ISO 9001 COMPANY

JINDAL ALUMINIUM LTD.
BANGALORE-560073 (INDIA)

	NAME	DATE
DRAWN	RAGHAVENDRA	29-12-2004
CHECKED		
APPROVED		
SCALE		3:1
AREA mm ²		247.992
PERIMETER mm.		171.244
WEIGHT kg/m		0.670
DRAWING No.	SECTION No.	
P-5217	-	
S1392	S1392	
22068	22068	

1. ALL DIMENSIONS ARE IN mm.
2. ROUND OFF ALL SHARP CORNERS WITH 0.40 mm.
3. TOLERANCES WILL BE AS PER IS:6477-1983 UNLESS OTHERWISE SPECIFIED

PARTY'S NAME	MAC LIFESTYLE PRODUCTS P. LTD., NEW DELHI
PARTY'S DRAWING No.	AS PER SAMPLE
ALLOY & TEMPER	HE9 WP
DESCRIPTION	VENETION BLIND