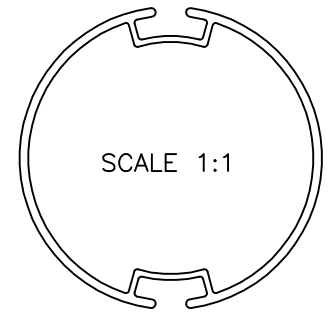


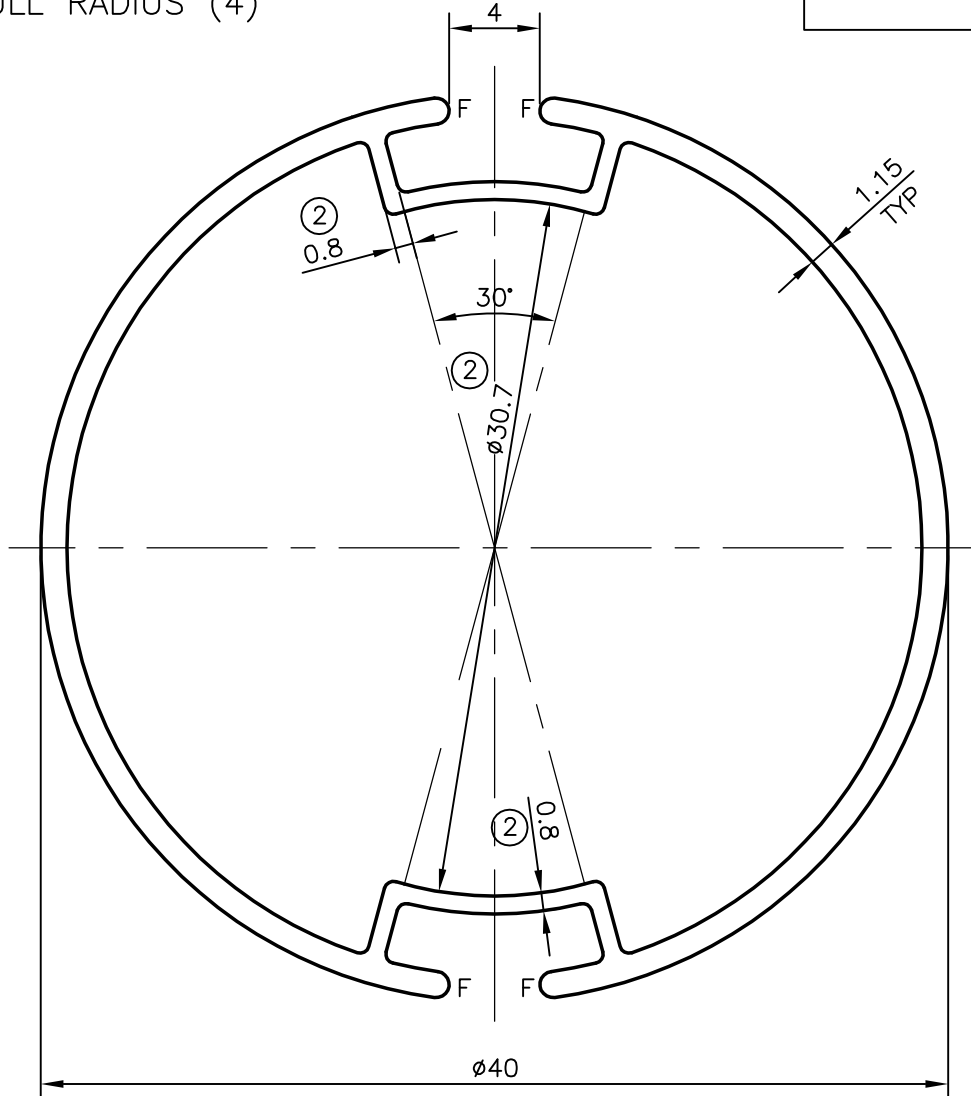
P-6903

22070

SECTION SHOULD MATCH  
WITH PARTYS PLASTIC SAMPLE



1. F = FULL RADIUS (4)



② ISSUE-2 DIMENSION CHANGED FROM  
 $\phi 30.00$  TO  $\phi 30.70$ mm  
 1.15 TO 0.80mm &  
 WEIGHT ALSO CHANGED FROM 0.452 TO 0.419



SYMBOL OF QUALITY  
AN ISO 9001 COMPANY

**JINDAL ALUMINIUM LTD.**  
BANGALORE-560073 (INDIA)

	NAME	DATE
DRAWN	RAGHAVENDRA	06-04-2007
CHECKED		
APPROVED		

1. ALL DIMENSIONS ARE IN mm.
2. ROUND OFF ALL SHARP CORNERS WITH 0.40 mm.
3. TOLERANCES WILL BE AS PER IS:6477-1983 UNLESS OTHERWISE SPECIFIED

SCALE	3:1
AREA mm <sup>2</sup>	155.237
PERIMETER mm.	158.309
WEIGHT kg/m	0.419

PARTY'S NAME	WALLTRACTS (INDIA) PVT. LTD., NEW DELHII
PARTY'S DRAWING No.	AS PER SAMPLE & AS PER REQUIREMENT
ALLOY & TEMPER	HE9 WP
DESCRIPTION	VENETIAN BLIND SECTION

DRAWING No.	SECTION No.
P-6903	-
22070	22070-ISSUE-2