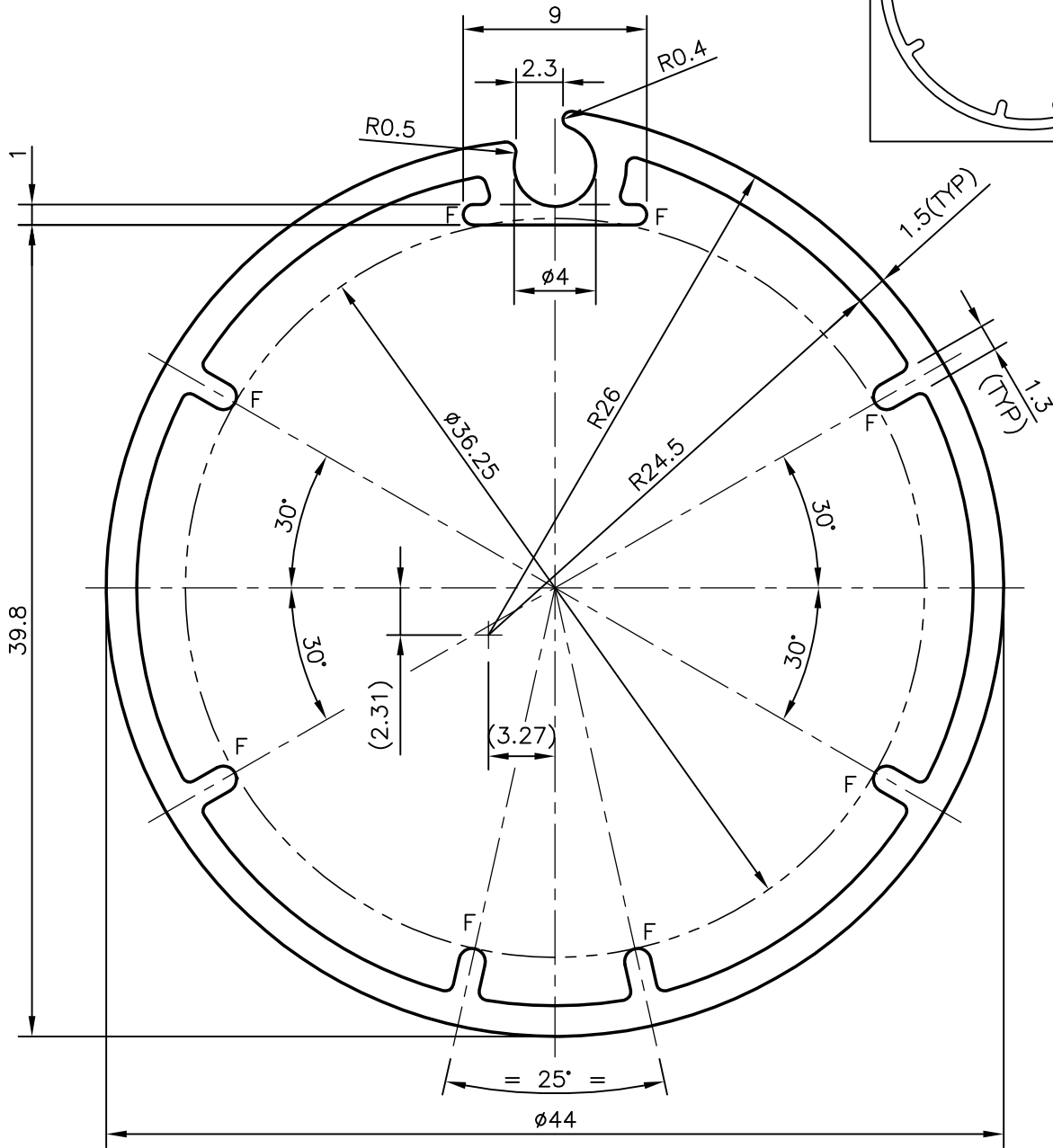
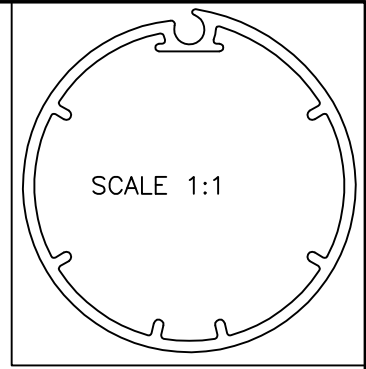


P-7385-2

22084



NOTE:-

1. F = FULL RADIUS (8 PLACES)



SYMBOL OF QUALITY
AN ISO 9001 COMPANY

JINDAL ALUMINIUM LTD.
BANGALORE-560073 (INDIA)

	NAME	DATE
DRAWN	PRASANNA.H	10-08-2007
CHECKED		
APPROVED		
SCALE		3:1
AREA mm ²		230.597
PERIMETER mm.		146.897
WEIGHT kg/m		0.623
DRAWING No.	SECTION No.	
P-7385-2	-	
22084	22084	

1. ALL DIMENSIONS ARE IN mm.
2. ROUND OFF ALL SHARP CORNERS WITH 0.40 mm.
3. TOLERANCES WILL BE AS PER IS:6477-1983 UNLESS OTHERWISE SPECIFIED

PARTY'S NAME	HINDUSTAN MARKETING COMPANY, BANGALORE
PARTY'S DRAWING No.	AS PER SAMPLE
ALLOY & TEMPER	HE9 WP
DESCRIPTION	VENETIAN BLIND SECTION