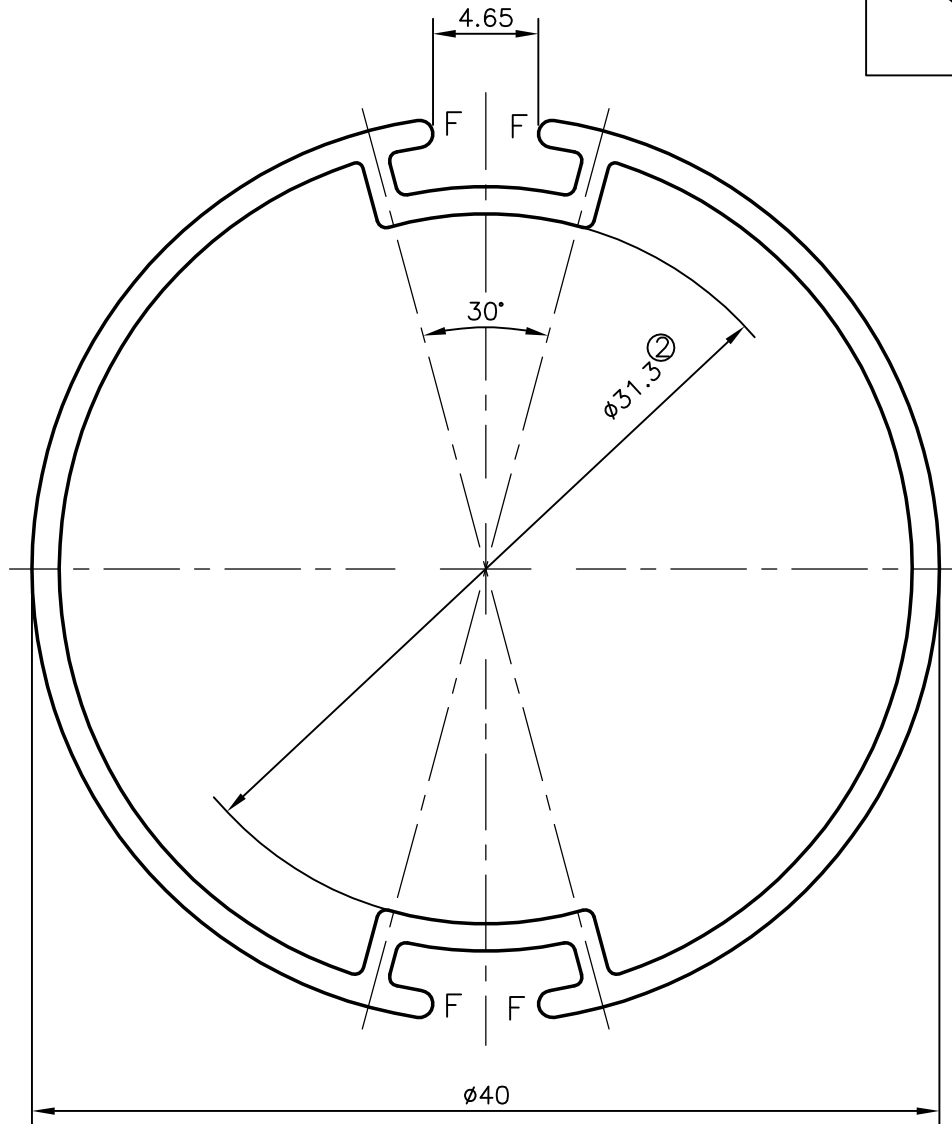
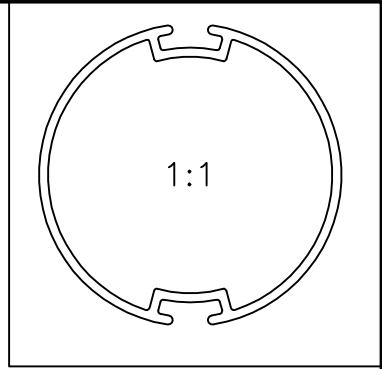


P-8103

22086

1. F = FULL RADIUS (4)
2. GENERAL WALL THICKNESS:- 1.20 ^② mm.



② PLEASE NOTE DIMENSIONS CHANGED 1.1mm TO 1.2 & ϕ 31.5 TO 31.3



SYMBOL OF QUALITY
AN ISO 9001 COMPANY

JINDAL ALUMINIUM LTD.
BANGALORE-560073 (INDIA)

	NAME	DATE
DRAWN	J.P.KAUSHIK	09-07-2008
CHECKED		
APPROVED		
SCALE		3:1
AREA mm ²		167.586
PERIMETER mm.		149.064
WEIGHT kg/m		0.452
DRAWING No.	SECTION No.	
P-8103	-	
22086	22086(ISSUE-2)	

1. ALL DIMENSIONS ARE IN mm.
2. ROUND OFF ALL SHARP CORNERS WITH 0.40 mm.
3. TOLERANCES WILL BE AS PER IS:6477-1983 UNLESS OTHERWISE SPECIFIED

PARTY'S NAME	MAC LIFESSTYLE PRODUCTS PVT.LTD., NEW DELHI
PARTY'S DRAWING No.	LIGHTER OF 22022
ALLOY & TEMPER	HE9 WP
DESCRIPTION	VENETIAN BLINDS