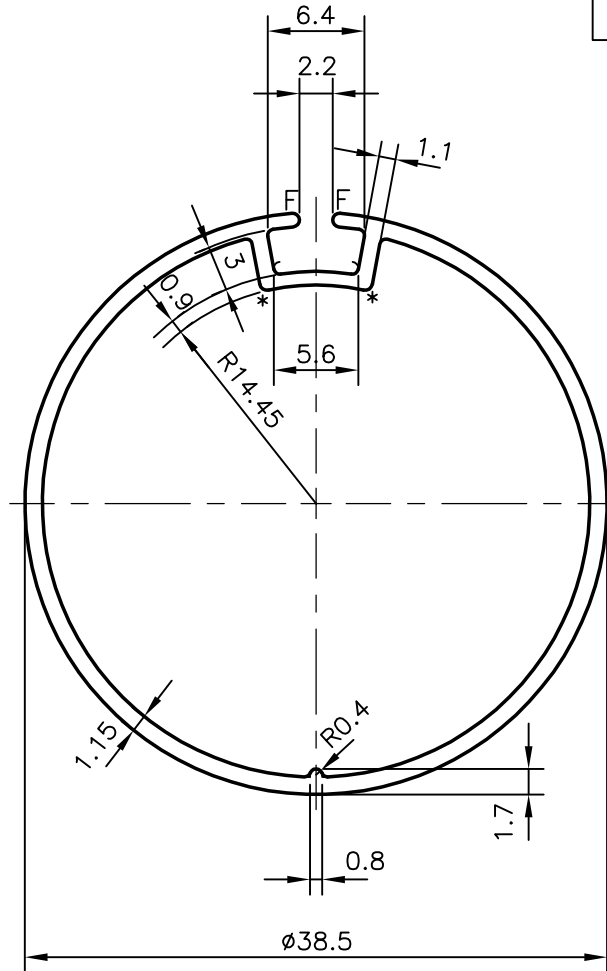
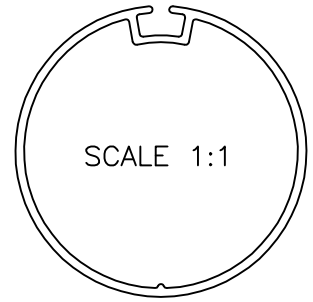


P-8648-1

22091



NOTE:-

F = FULL RADIUS (2 PLACES)

** = RADIUS 0.50 mm (2 PLACES)*



SYMBOL OF QUALITY
AN ISO 9001 COMPANY

JINDAL ALUMINIUM LTD.
BANGALORE-560073 (INDIA)

	NAME	DATE
DRAWN	ABHARANI	25-09-2008
CHECKED		
APPROVED		
SCALE		2:1
AREA mm ²		144.482
PERIMETER mm.		134.928
WEIGHT kg/m		0.39
DRAWING No.	SECTION No.	
P-8648-1	-	
22091	22091	

1. ALL DIMENSIONS ARE IN mm.
2. ROUND OFF ALL SHARP CORNERS WITH 0.40 mm.
3. TOLERANCES WILL BE AS PER IS:2673-2002 UNLESS OTHERWISE SPECIFIED

PARTY'S NAME	MADHU INDIA LIMITED,LUCKNOW
PARTY'S DRAWING No.	DC-121
ALLOY & TEMPER	HE9 WP
DESCRIPTION	VENETIAN BLIND SECTION