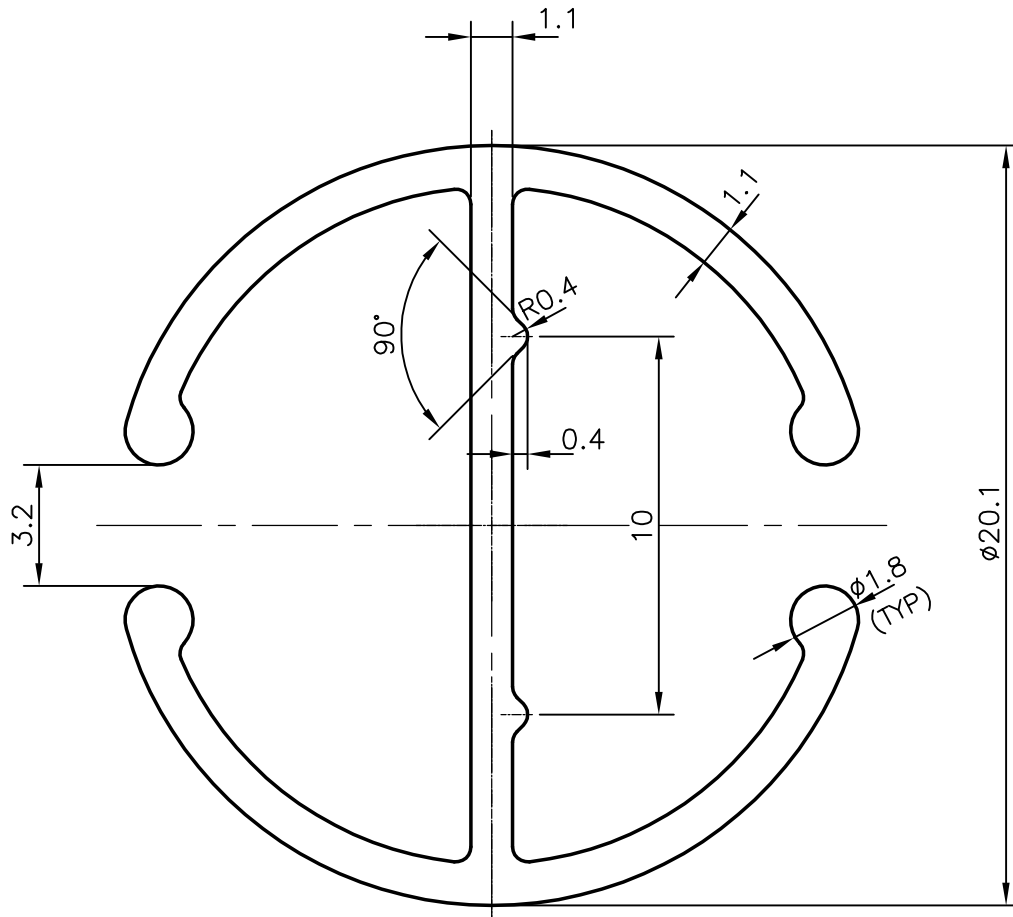


P-8644-1

22092



SCALE 1:1



SYMBOL OF QUALITY
AN ISO 9001 COMPANY

JINDAL ALUMINIUM LTD.
BANGALORE-560073 (INDIA)

	NAME	DATE
DRAWN	ABHARANI	22-09-2008
CHECKED		
APPROVED		

1. ALL DIMENSIONS ARE IN mm.
2. ROUND OFF ALL SHARP CORNERS WITH 0.40 mm.
3. TOLERANCES WILL BE AS PER IS:3965-1981 UNLESS OTHERWISE SPECIFIED

SCALE	5:1
AREA mm ²	81.453
PERIMETER mm.	143.754
WEIGHT kg/m	0.220

PARTY'S NAME	MADHU INDIA LIMITED, LUCKNOW	DRAWING No.	SECTION No.
PARTY'S DRAWING No.	AS PER SAMPLE	P-8644-1	-
ALLOY & TEMPER	HE9 WP	22092	22092
DESCRIPTION	MISC. SECTION-SOLID		