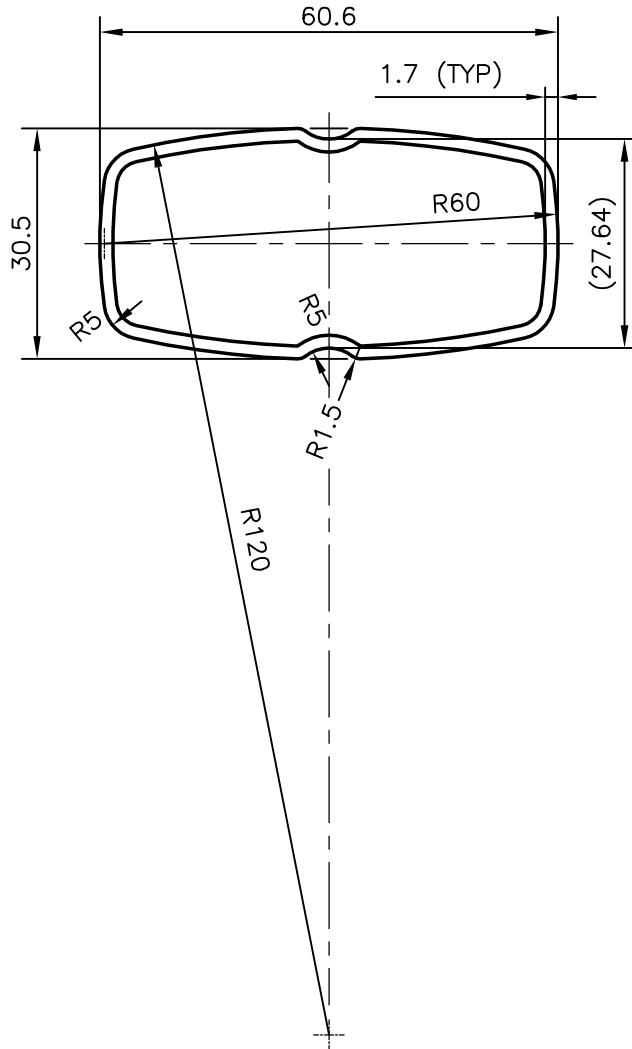



P-9098-1

22096



GENERAL WALL THICKNESS = 1.70mm

 SYMBOL OF QUALITY AN ISO 9001 COMPANY	JINDAL ALUMINIUM LTD. BANGALORE-560073 (INDIA)	NAME	DATE
		DRAWN	J.P.KAUSHIK
1. ALL DIMENSIONS ARE IN mm. 2. ROUND OFF ALL SHARP CORNERS WITH 0.40 mm. 3. TOLERANCES WILL BE AS PER IS:6477-1983 UNLESS OTHERWISE SPECIFIED		CHECKED	
		APPROVED	
PARTY'S NAME GENERAL CATEGORY, DELHI MARKET		SCALE	1:1
		AREA mm ²	268.302
PARTY'S DRAWING No. AS PER SKETCH		PERIMETER mm.	163.164
		WEIGHT kg/m	0.724
ALLOY & TEMPER HE9 WP		DRAWING No.	SECTION No.
		P-9098-1	-
DESCRIPTION VENETIAN BLIND SECTION		22096	22096