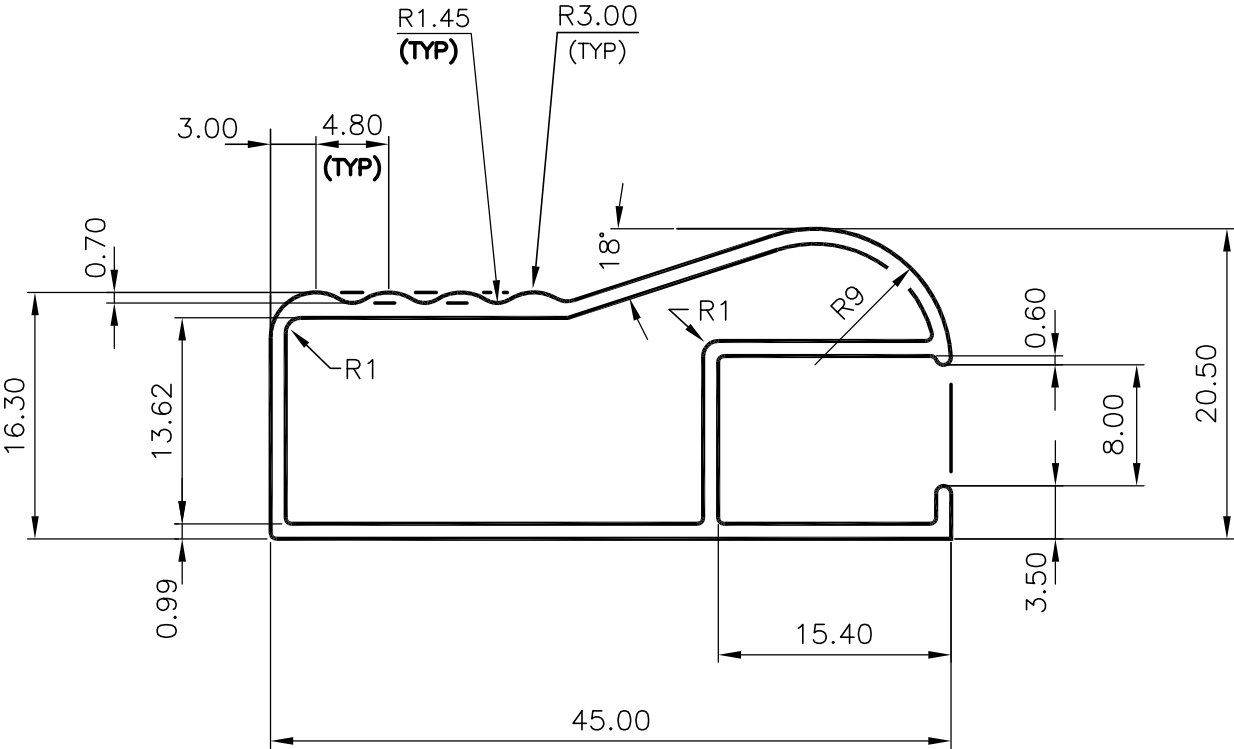


P-2847
2772
22101


WEIGHT 1.412 kg/12 ft



1;1



GENERAL WALL THICKNESS:-0.99 mm.
F= FULL RADIUS (2)

 SYMBOL OF QUALITY AN ISO 9002 COMPANY	JINDAL ALUMINIUM LTD. BANGALORE-560073 (INDIA)		NAME	DATE
		DRAWN	P,KULKARNI	17-7-2000
1. ALL DIMENSIONS ARE IN mm. 2. ROUND OFF ALL SHARP CORNERS WITH 0.40 mm. 3. TOLERANCES WILL BE AS PER I.S: 6477-1983 UNLESS OTHERWISE SPECIFIED		CHECKED		
		APPROVED		
		SCALE	2:1	
PARTY'S NAME	GENERAL CATEGORY (COCHIN MARKET)	WEIGHT kg/m	0.386	
PARTY'S DRAWING No.	AS PER SAMPLE	SECTION No.	22101	
ALLOY & TEMPER	HE9 WP	DRAWING No.		
DESCRIPTION	MISC TUBE	22101		