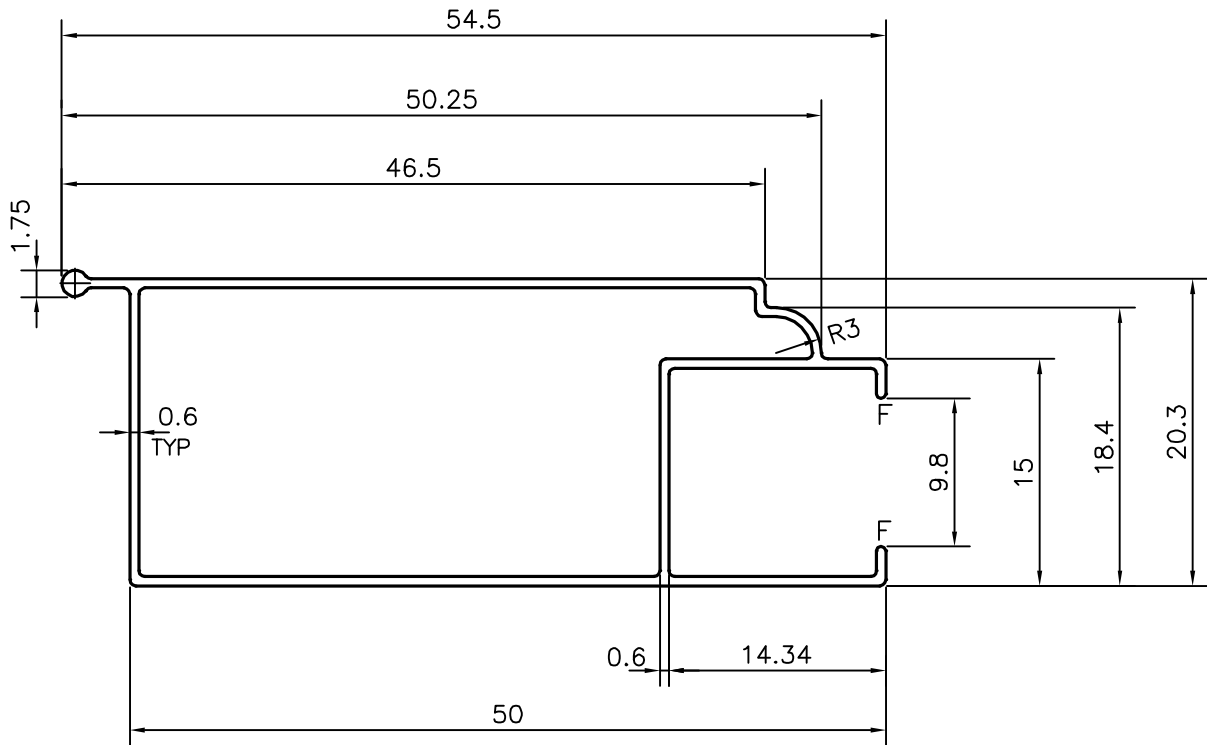
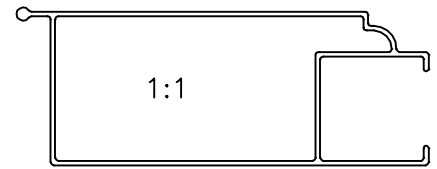


P-14499

22145



F = FULL RADIUS (2PLACES)



SYMBOL OF QUALITY
AN ISO 9001 COMPANY

JINDAL ALUMINIUM LTD.
BANGALORE-560073 (INDIA)

	NAME	DATE
DRAWN	J.P.KAUSHIK	26-03-2015
CHECKED		
APPROVED	S.S.GARG	09-07-2015

1. ALL DIMENSIONS ARE IN mm.
2. ROUND OFF ALL SHARP CORNERS WITH 0.40 mm.
3. TOLERANCES WILL BE AS PER IS:6477-1983 , UNLESS OTHERWISE SPECIFIED

SCALE	2:1
AREA mm ²	94.891
PERIMETER mm.	183.38
WEIGHT kg/m	0.256

PARTY'S NAME	GENERAL CATEGORY, COCHIN MARKET
PARTY'S DRAWING No.	AS PER SAMPLE
ALLOY & TEMPER	HE9 WP
DESCRIPTION	50 mm WINDOW PLAIN (LIP)

DRAWING No.	SECTION No.
P-14499	-
22145	22145