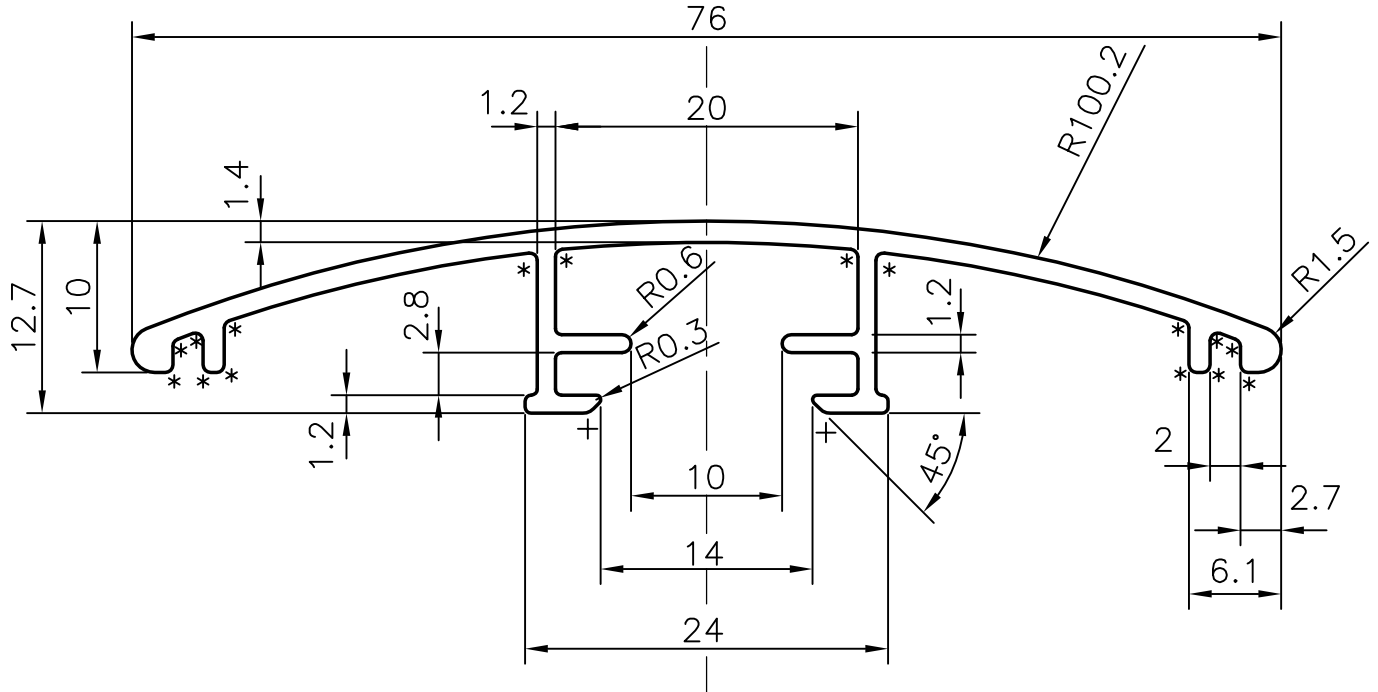
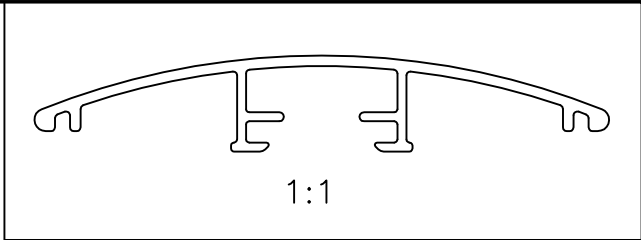



P-4023  
S932  
7070  
22218



\* = 0.50 RADIUS (16)  
+ = 1.0 RADIUS (2)

 SYMBOL OF QUALITY AN ISO 9002 COMPANY	<b>JINDAL ALUMINIUM LTD.</b> BANGALORE-560073 (INDIA)	NAME		DATE
		DRAWN	R.D.Sharma	07-11-02
		CHECKED		
1. ALL DIMENSIONS ARE IN mm. 2. ROUND OFF ALL SHARP CORNERS WITH 0.40 mm. 3. TOLERANCES WILL BE AS PER IS: 3965-1981 UNLESS OTHERWISE SPECIFIED		APPROVED		
		SCALE	1:1 & 2:1	
		AREA mm <sup>2</sup>	171	
PARTY'S NAME	21st CENTURY OFFICES PVT. LTD., BANGALORE	PERIMETER mm.	245.3	
PARTY'S DRAWING No.	10204796	WEIGHT kg/m	0.462	
ALLOY & TEMPER	HE9 WP	SECTION No.	22218	
DESCRIPTION	FURNITURE SECTION	DRAWING No.	22218	