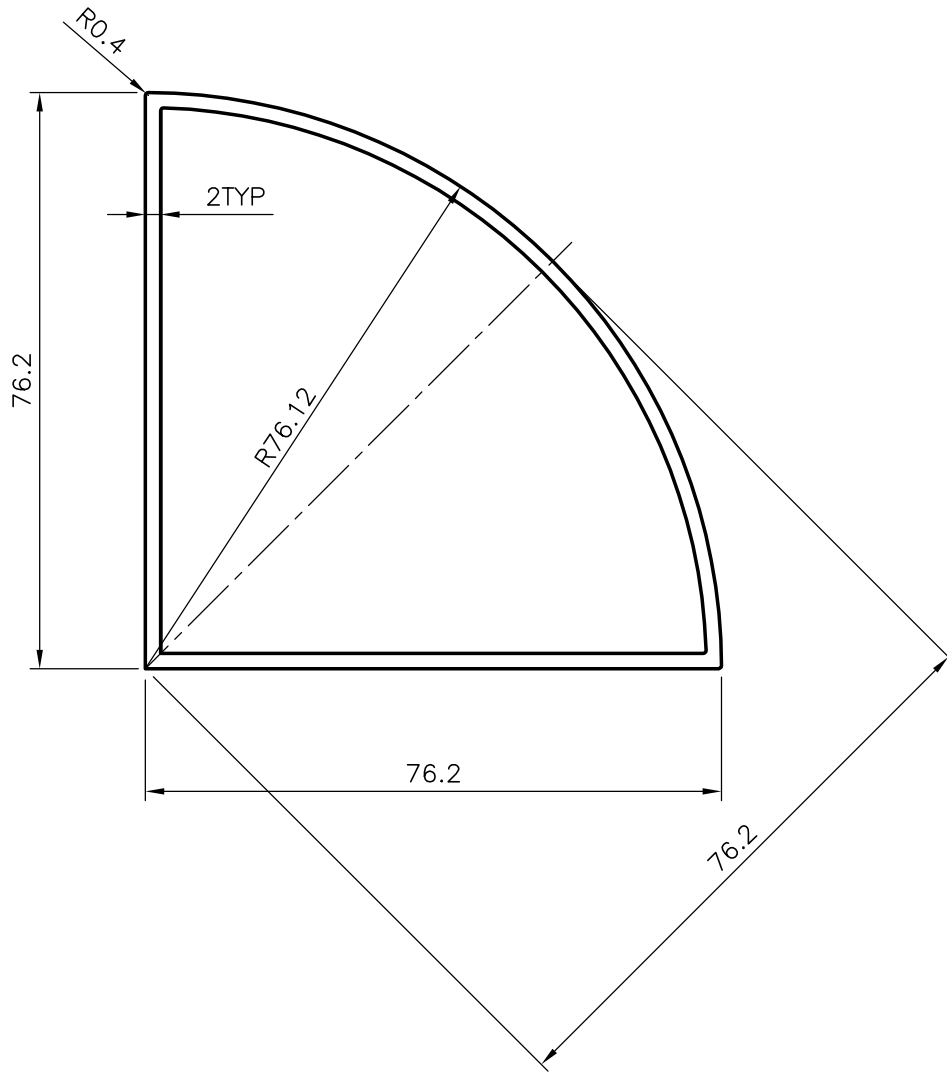



P-3500
S755
7100
22219



GENERAL WALL THICKNESS = 2mm

 SYMBOL OF QUALITY AN ISO 9002 COMPANY	<b>JINDAL ALUMINIUM LTD.</b> BANGALORE-560073 (INDIA)		NAME	DATE
		DRAWN	RAGHAVENDRA	28-08-01
1. ALL DIMENSIONS ARE IN mm. 2. ROUND OFF ALL SHARP CORNERS WITH 0.40 mm. 3. TOLERANCES WILL BE AS PER IS: 6477-1983 UNLESS OTHERWISE SPECIFIED		CHECKED		
		APPROVED		
		SCALE	1:1	
PARTY'S NAME	RISHABH FURNI-TECH PVT LTD., CHENNAI	WEIGHT kg/m	1.428	
PARTY'S DRAWING No.	AS PER SKETCH	PERIMETER	271.76mm	
ALLOY & TEMPER	HE9 WP	SECTION No.	22219	
DESCRIPTION	MISC TUBE (FURNITURE SECTION)	DRAWING No.	22219	