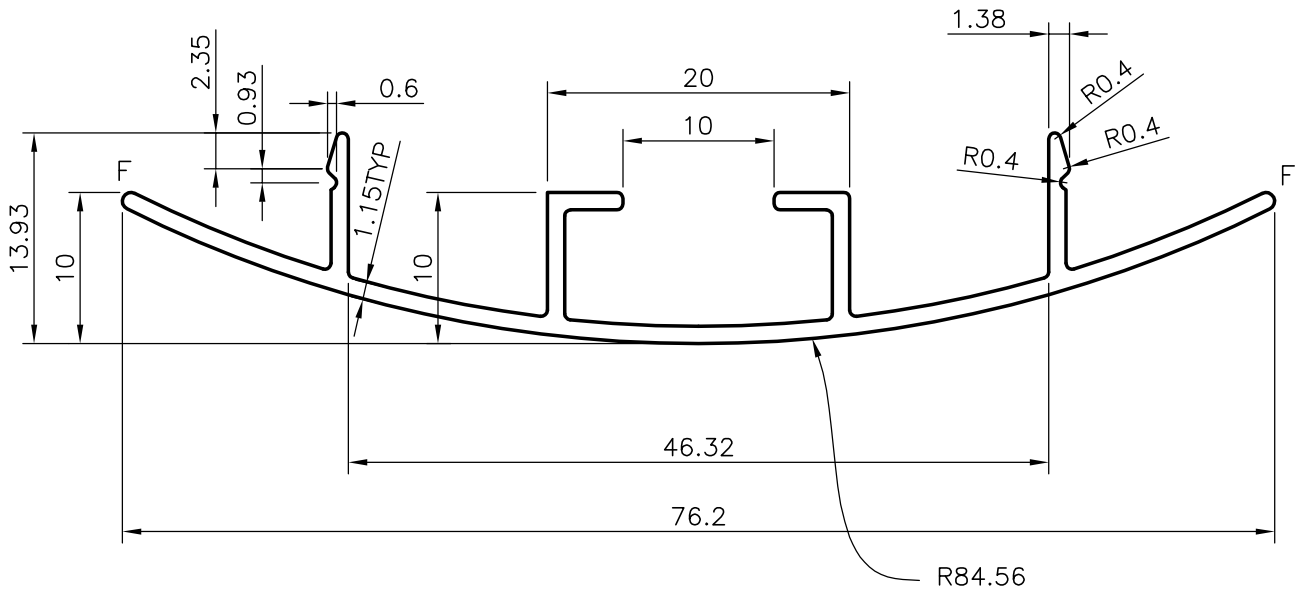
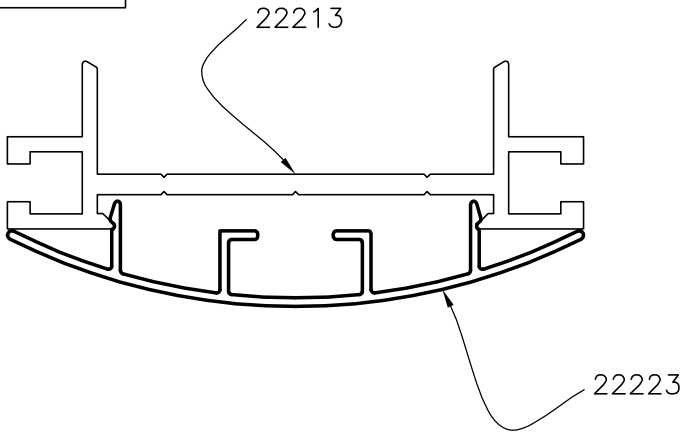
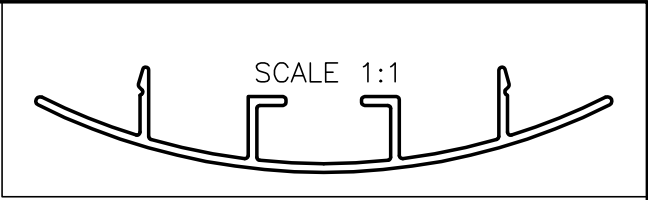



P-3505  
S760  
7104  
22223



GENERAL WALL THICKNESS = 1.15mm  
F = FULL RADII (2 PLACES)

 SYMBOL OF QUALITY AN ISO 9002 COMPANY	<b>JINDAL ALUMINIUM LTD.</b> BANGALORE-560073 (INDIA)		NAME	DATE
		DRAWN	RAGHAVENDRA	28-08-01
1. ALL DIMENSIONS ARE IN mm. 2. ROUND OFF ALL SHARP CORNERS WITH 0.40 mm. 3. TOLERANCES WILL BE AS PER IS: 3965-1981 UNLESS OTHERWISE SPECIFIED		CHECKED		
		APPROVED		
PARTY'S NAME	RISHABH FURNI-TECH PVT LTD., CHENNAI	SCALE	2:1 & 1:1	
PARTY'S DRAWING No.	AS PER SKETCH	WEIGHT kg/m	0.375	
ALLOY & TEMPER	HE9 WP	PERIMETER	241.85mm	
DESCRIPTION	FURNITURE SECTION	SECTION No.	22223	
		DRAWING No.	22223	