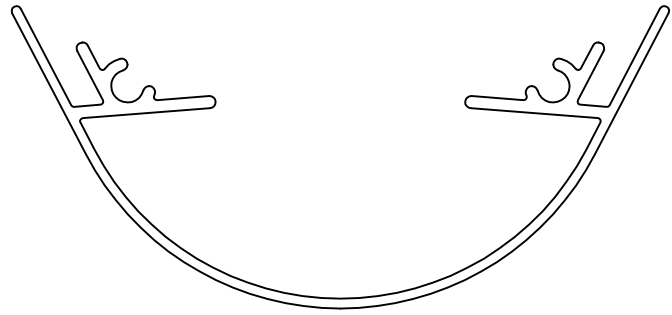
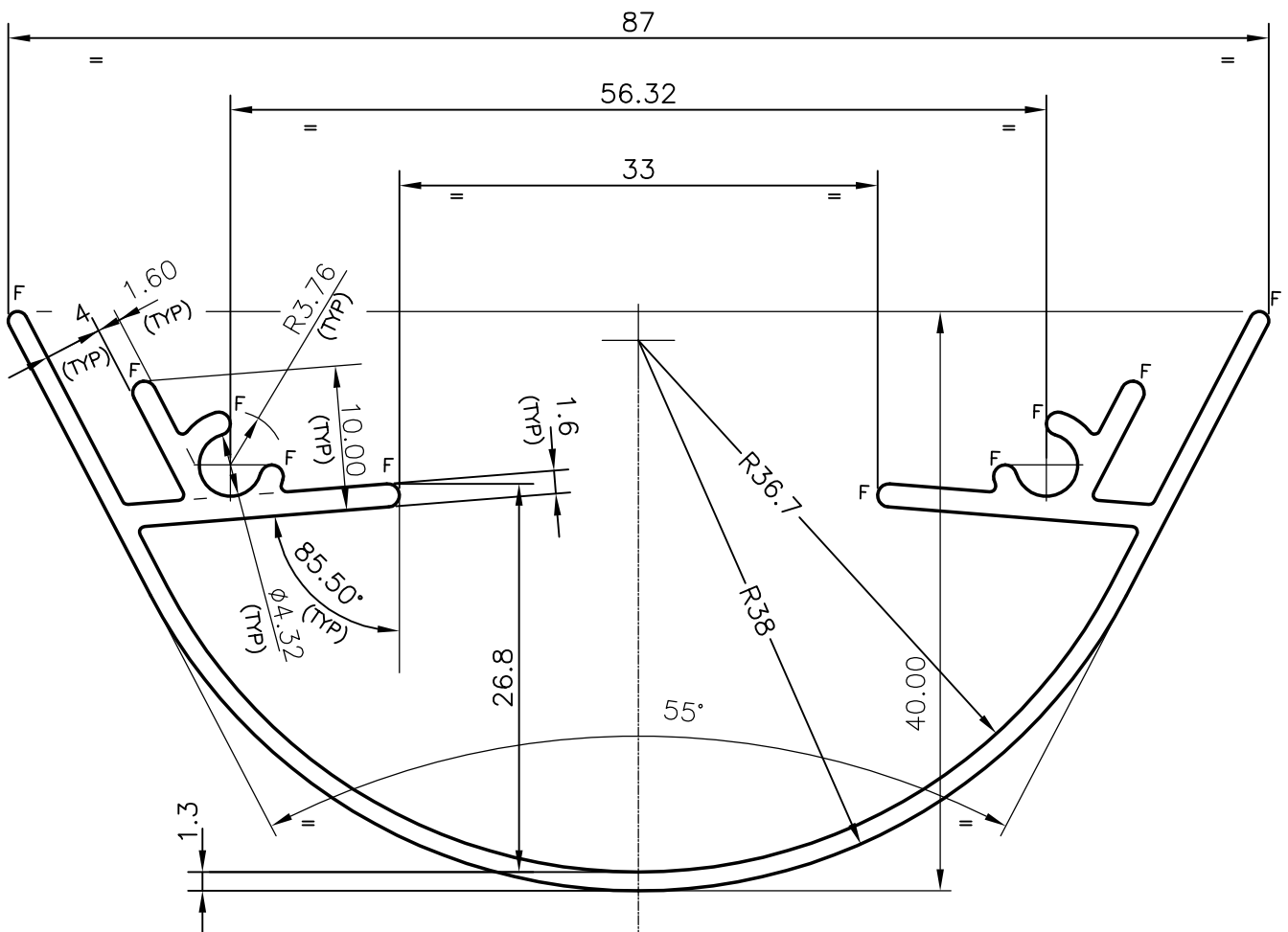


8111

22243



1:1



UNSPECIFIED WALL THICKNESS 1.30 mm
F = FULL RADII (10 Nos)

JINDAL ALUMINIUM LTD.
BANGALORE-560073

NAME

DATE

DRAWN

P,KULKARNI

8-4-99

CHECKED

APPROVED

1. ALL DIMENSIONS ARE IN mm.
2. ROUND OFF ALL SHARP CORNERS WITH 0.4 mm.
3. TOLERANCES WILL BE AS PER IS: 3965-1981 UNLESS OTHERWISE SPECIFIED

PARTY'S NAME

GENERAL CATEGORY (MUMBAI MARKET)

SCALE

2:1

PARTY'S DRAWING No.

AS PER SAMPLE

WEIGHT kg/m

0.727

ALLOY & TEMPER

HE9 WP

SECTION No.

22243

LENGTH

-

DRAWING No.

DESCRIPTION

CURVE PROFILE

22243