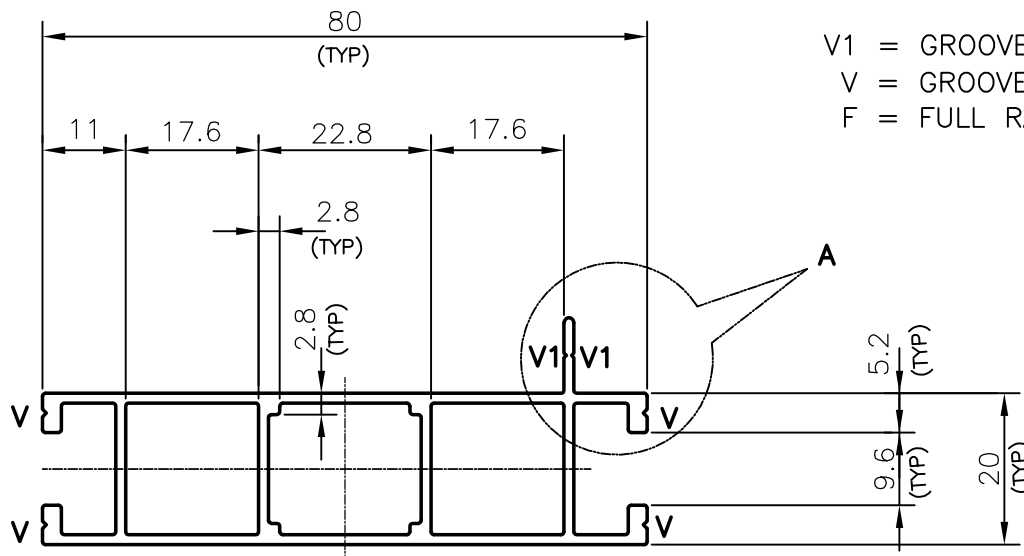
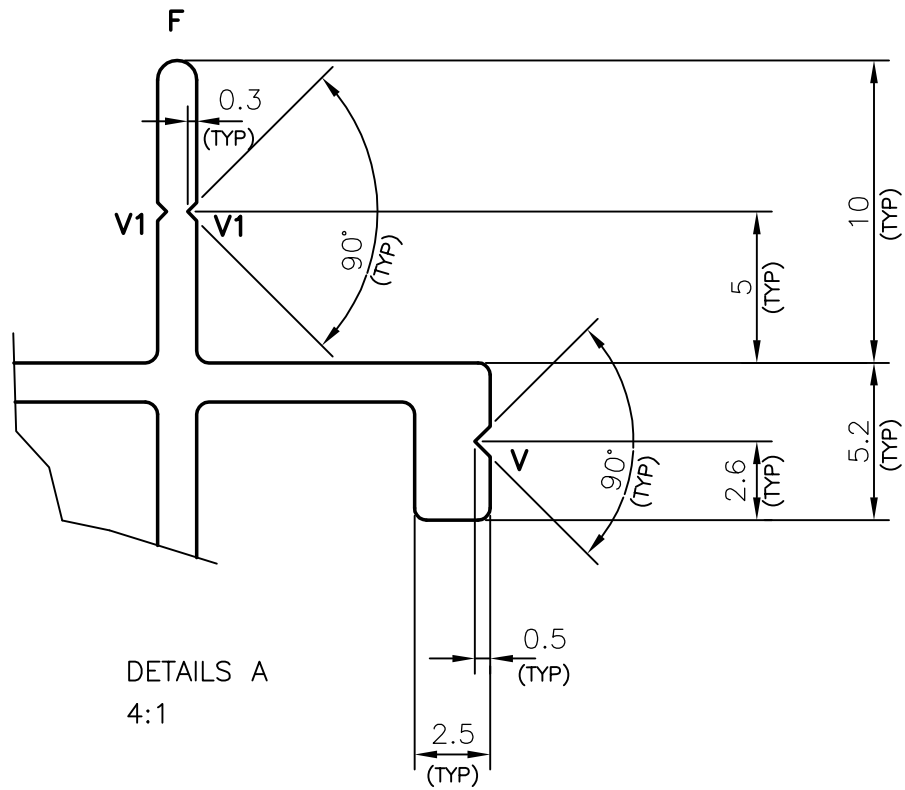


8112

22244



UNSPECIFIED WALL THICKNESS 1.30 mm

JINDAL ALUMINIUM LTD.
 BANGALORE-560073

NAME

DATE

DRAWN

P,KULKARNI

9-4-99

1. ALL DIMENSIONS ARE IN mm.

2. ROUND OFF ALL SHARP CORNERS WITH 0.4 mm.

3. TOLERANCES WILL BE AS PER IS: 6477-1983 UNLESS OTHERWISE SPECIFIED

CHECKED

APPROVED

PARTY'S NAME

GENERAL CATEGORY (MUMBAI MARKET)

SCALE

1:1

PARTY'S DRAWING No.

AS PER SAMPLE

WEIGHT kg/m

0.967

ALLOY & TEMPER

HE9 WP

SECTION No.

22244

LENGTH

3658 mm (12')

DRAWING No.

DESCRIPTION

HOLLOW SECTION

22244