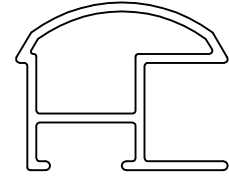


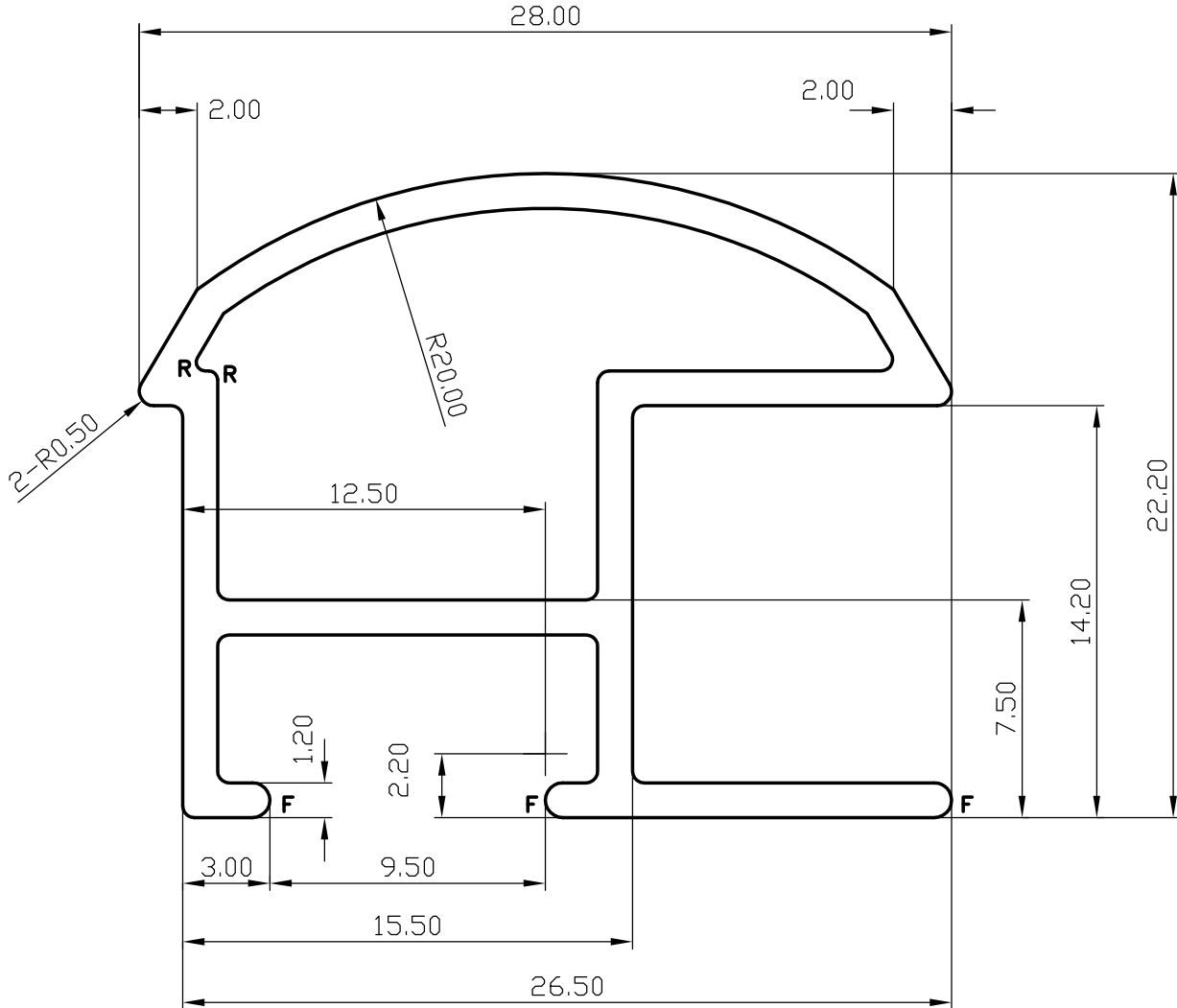
8126

22255

GENERAL WALL THICKNESS 1.20 mm



1:1



R = RADII 0.30 (2)

F = RADII FULL (3)



SYMBOL OF QUALITY
AN ISO 9002 COMPANY

JINDAL ALUMINIUM LTD.
BANGALORE-560073 (INDIA)

	NAME	DATE
DRAWN	P,KULKARNI	30-6-99
CHECKED		
APPROVED		

1. ALL DIMENSIONS ARE IN mm.
2. ROUND OFF ALL SHARP CORNERS WITH 0.40 mm.
3. TOLERANCES WILL BE AS PER IS: 6477-1983 UNLESS OTHERWISE SPECIFIED

SCALE	4:1
WEIGHT kg/m	0.327
SECTION No.	22255
DRAWING No.	22255

PARTY'S NAME	GENERAL CATEGORY (MUMBAI MARKET)
PARTY'S DRAWING No.	AS PER SKETCH
ALLOY & TEMPER	HE9-WP
DESCRIPTION	MISC TUBE