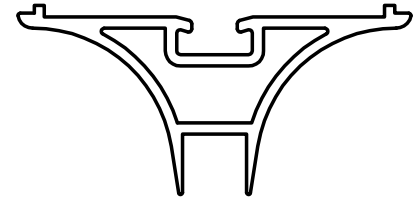


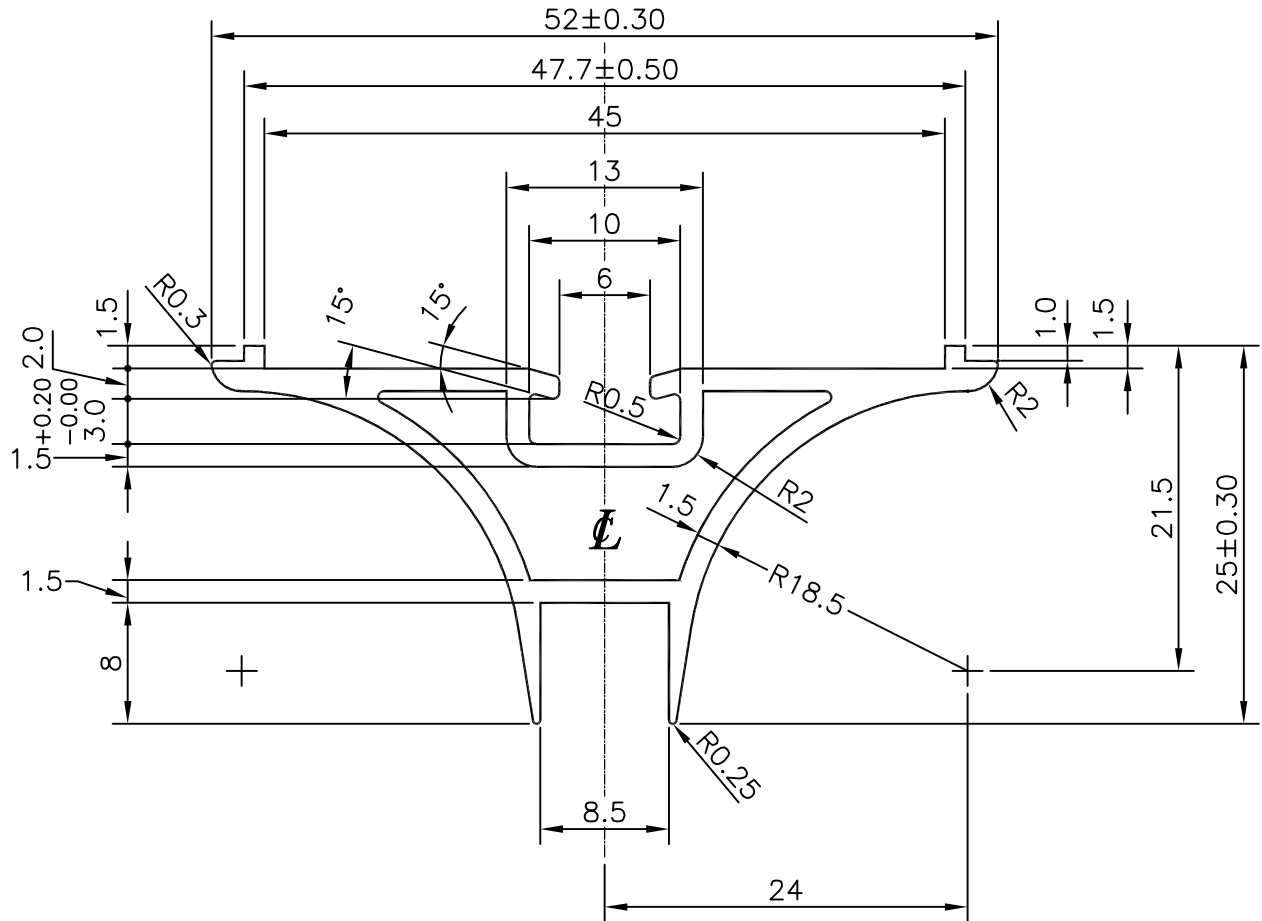
S403

8287

22302



1:1



3660 mm



SYMBOL OF QUALITY  
AN ISO 9002 COMPANY

**JINDAL ALUMINIUM LTD.**  
BANGALORE-560073 (INDIA)

	NAME	DATE
DRAWN	R.D.Sharma	15-06-98
CHECKED		
APPROVED		

1. ALL DIMENSIONS ARE IN mm.
2. ROUND OFF ALL SHARP CORNERS WITH 0.40 mm.
3. TOLERANCES WILL BE AS PER IS 6477-1983 UNLESS OTHERWISE SPECIFIED

PARTY'S NAME	GODREJ & BOYCE MFG. CO. LTD., MUMBAI	SCALE	2:1
PARTY'S DRAWING No.	PL4-A4-376 (REV.-B) (GLASS SECTION)	WEIGHT kg/m	0.530
ALLOY & TEMPER	HE9 WP (63400 WP)	SECTION No.	22302
DESCRIPTION	GENERAL MISCELLANEOUS	DRAWING No.	22302