

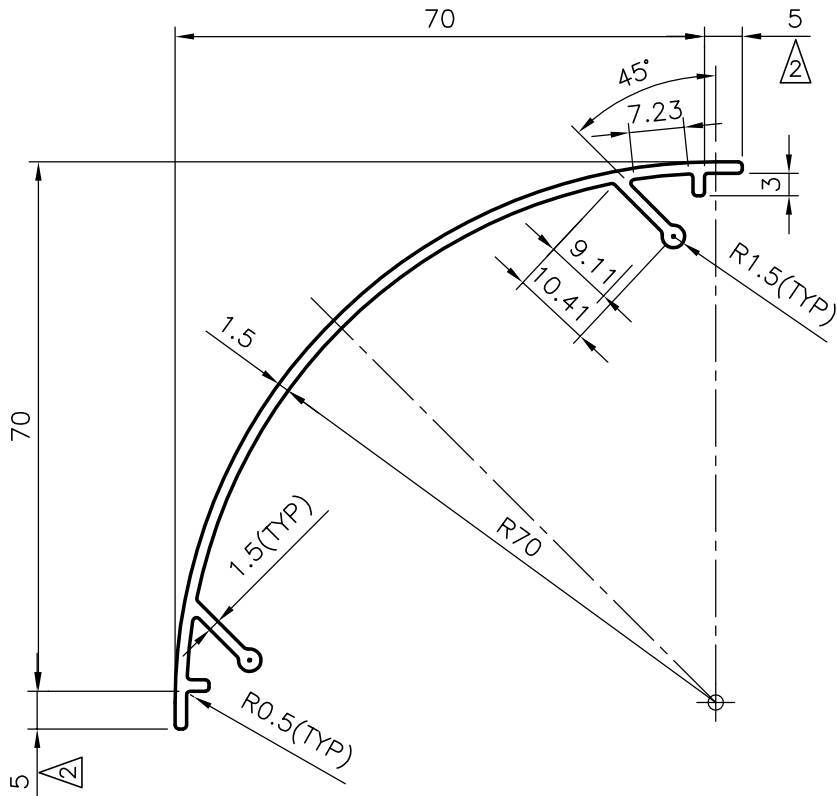
S698

9292

22317

NOTE:—

1. GENERAL WALL THICKNESS :—1.5mm
2. ALL THE CORNER SHOULD BE R0.5mm RADII.



$\triangle 2$ = DIMENSION CHANGED FROM 3.0 TO 5.0mm
& WEIGHT CHANGED FROM 0.595kg/m TO 0.631kg/m



SYMBOL OF QUALITY
AN ISO 9002 COMPANY

JINDAL ALUMINIUM LTD.
BANGALORE-560073 (INDIA)

NAME

DATE

DRAWN

RAGHAVENDRA

15-09-01

CHECKED

APPROVED

SCALE

1:1

PARTY'S NAME

FETHERLIGHT OFFICE SYSTEMS (P) LIMITED., BANGALORE

WEIGHT kg/m

0.631

PARTY'S DRAWING No.

AS PER DRAWING

SECTION No.

293.94mm

ALLOY & TEMPER

HE9 WP

SECTION No.

22317

DESCRIPTION

CORNER COVER

DRAWING No.

22317

1. ALL DIMENSIONS ARE IN mm.
2. ROUND OFF ALL SHARP CORNERS WITH 0.40 mm.
3. TOLERANCES WILL BE AS PER IS: 3965-1981 UNLESS OTHERWISE SPECIFIED