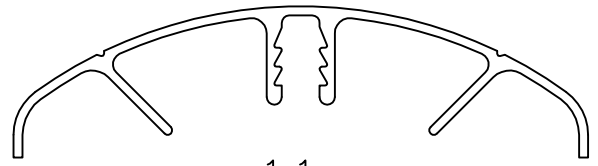


P-4029

S970

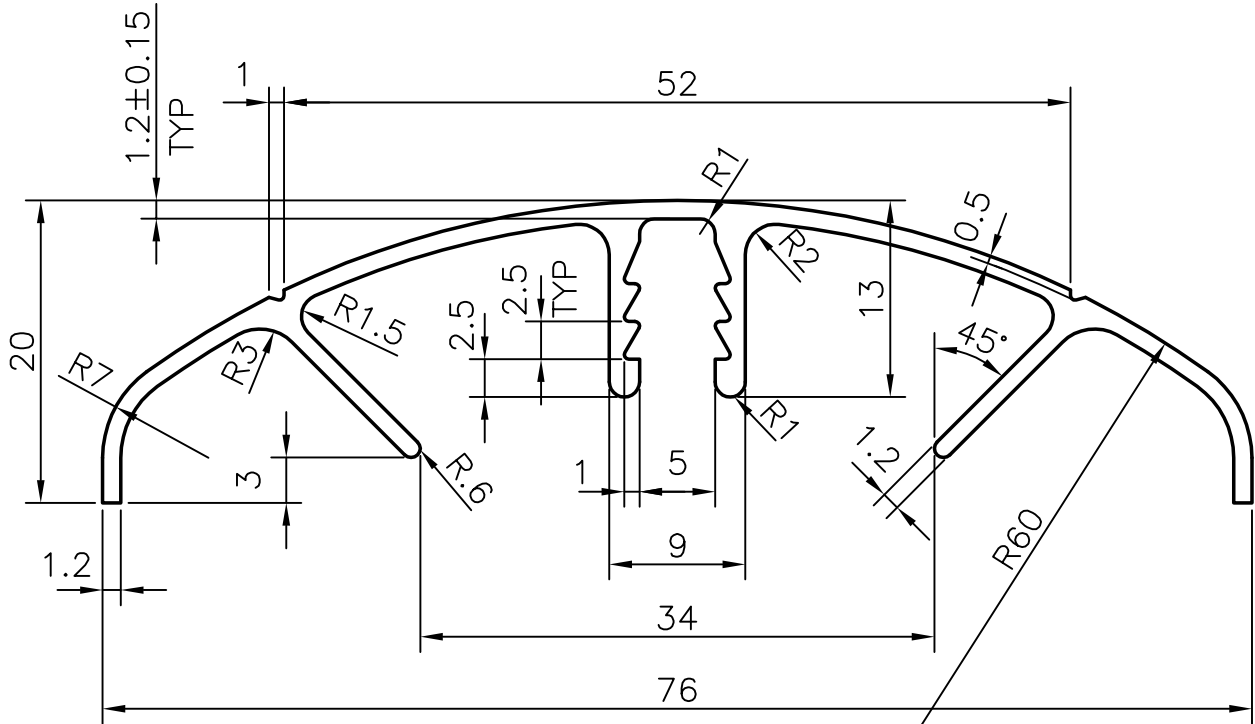
22333



1:1

**NOTE:-**

GENERAL WALL THICKNESS:-  $1.20 \pm 0.15$



SYMBOL OF QUALITY  
AN ISO 9002 COMPANY

**JINDAL ALUMINIUM LTD.**  
BANGALORE-560073 (INDIA)

	NAME	DATE
DRAWN	R.D.Sharma	10-11-02
CHECKED		
APPROVED		

1. ALL DIMENSIONS ARE IN mm.
2. ROUND OFF ALL SHARP CORNERS WITH 0.40 mm.
3. TOLERANCES WILL BE AS PER IS: 3965-1981 UNLESS OTHERWISE SPECIFIED

SCALE	1:1 & 2:1
AREA mm <sup>2</sup>	185.9
PERIMETER mm.	283.6
WEIGHT kg/m	0.502
SECTION No.	22333
DRAWING No.	22333

PARTY'S NAME	MONALISA INTERIOR DECORATORS PVT. LTD., BANGALORE
PARTY'S DRAWING No.	AS PER DRAWING
ALLOY & TEMPER	HE9 WP
DESCRIPTION	FURNITURE SECTION