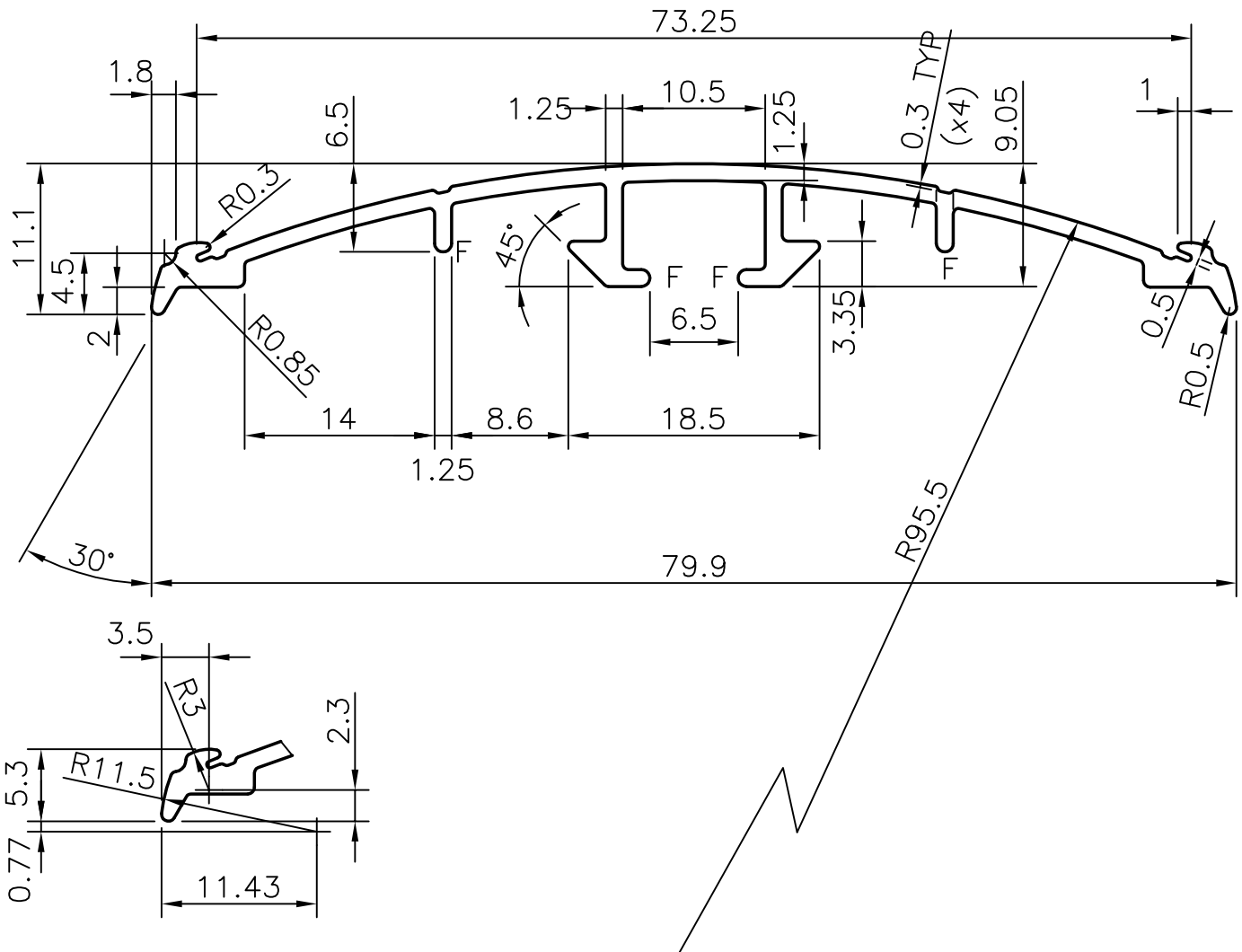
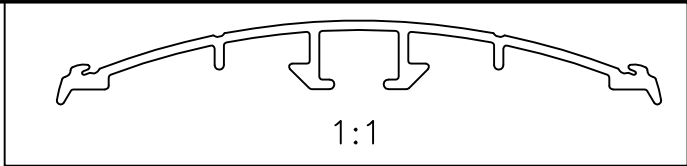


P-4316  
S1011  
22339



**JINDAL ALUMINIUM LTD.**  
BANGALORE-560073 (INDIA)

	NAME	DATE
DRAWN	R.D.Sharma	02-07-2003
CHECKED		
APPROVED		

1. ALL DIMENSIONS ARE IN mm.
2. ROUND OFF ALL SHARP CORNERS WITH 0.40 mm.
3. TOLERANCES WILL BE AS PER IS: 3965-1981 UNLESS OTHERWISE SPECIFIED

SCALE	2:1
AREA mm <sup>2</sup>	164.3
PERIMETER mm.	236.7
WEIGHT kg/m	0.444

PARTY'S NAME	TESCO TRADING & CONTRACTS, BANGALORE
PARTY'S DRAWING No.	JL/01
ALLOY & TEMPER	HE9 WP
DESCRIPTION	FURNITURE SECTION

DRAWING No.	SECTION No.
P-4316	-
S1011	S1011
22339	22339