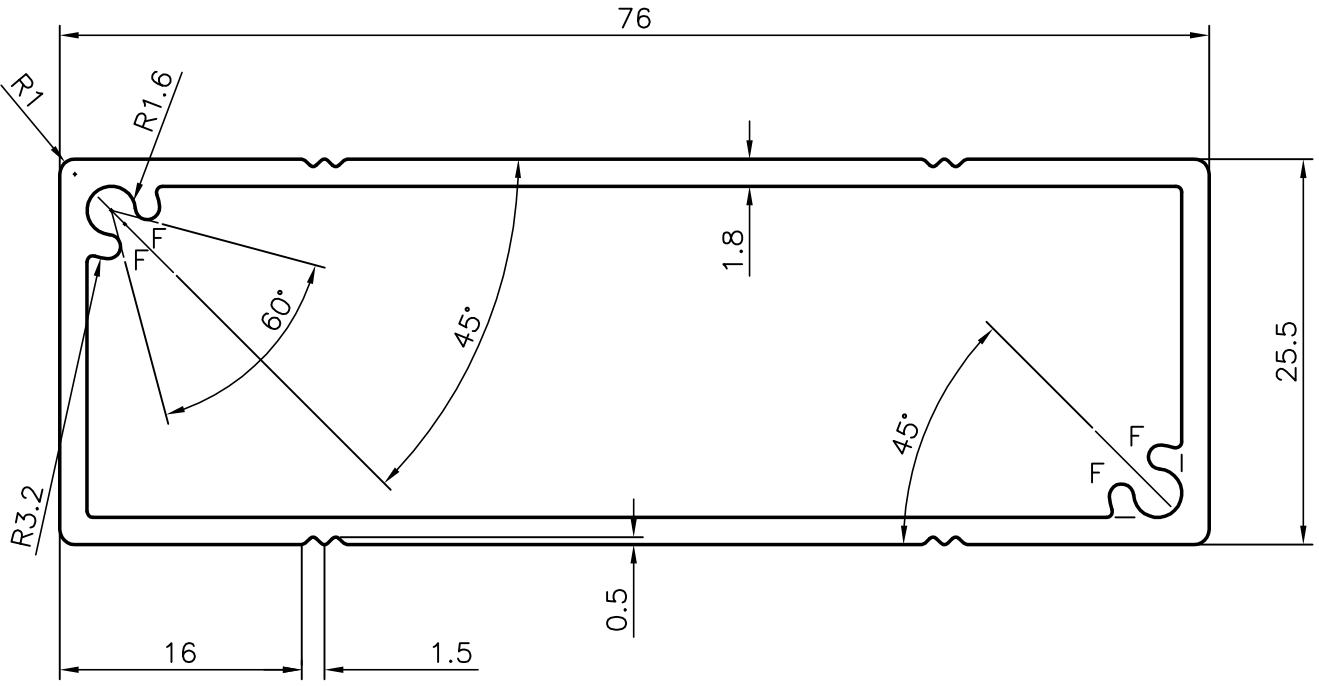
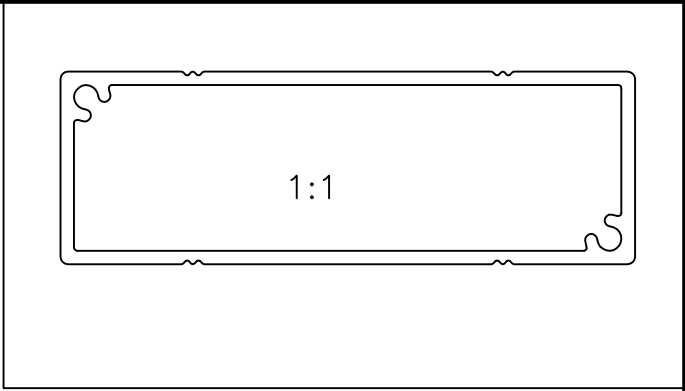


P-4514-1  
S1079  
22342



**JINDAL ALUMINIUM LTD.**  
BANGALORE-560073 (INDIA)

	NAME	DATE
DRAWN	D.K Shaw	24-10-03
CHECKED		
APPROVED		

1. ALL DIMENSIONS ARE IN mm.
2. ROUND OFF ALL SHARP CORNERS WITH 0.40 mm.
3. TOLERANCES WILL BE AS PER IS: 6477-1983 UNLESS OTHERWISE SPECIFIED

SCALE	2:1
AREA mm <sup>2</sup>	364.5
PERIMETER mm.	204.2
WEIGHT kg/m	0.984

PARTY'S NAME	21st CENTURY OFFICES, BANGALORE
PARTY'S DRAWING No.	10206292
ALLOY & TEMPER	HE9 WP
DESCRIPTION	REC POST

DRAWING No.	SECTION No.
P-4514-1	-
S1079	S1079
22342	22342