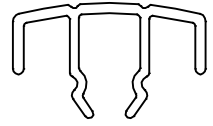


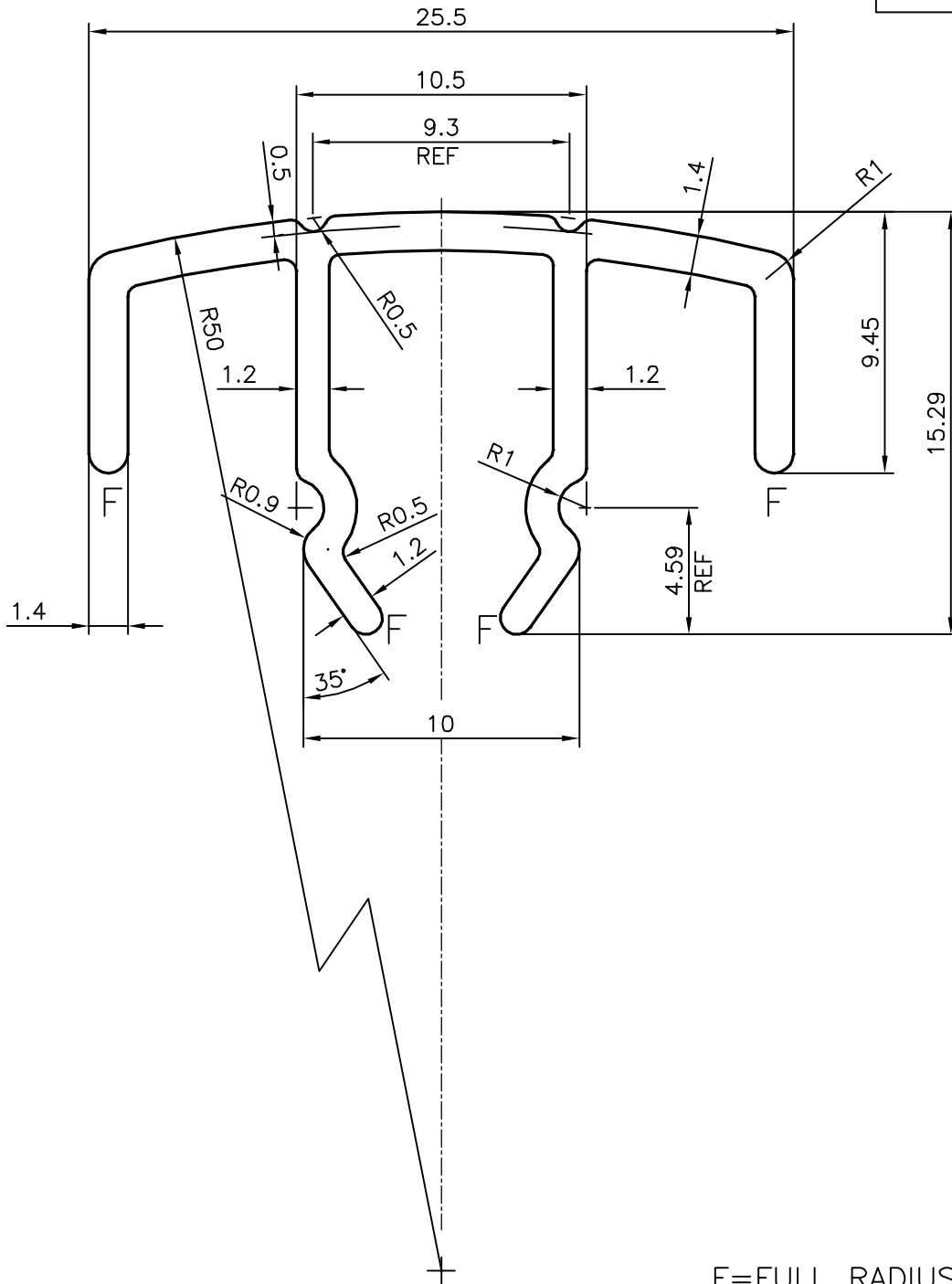
P-4503

S1094

22343



1:1



F=FULL RADIUS (4 PLACE)



SYMBOL OF QUALITY
AN ISO 9002 COMPANY

JINDAL ALUMINIUM LTD.
BANGALORE-560073 (INDIA)

	NAME	DATE
DRAWN	J.P.KAUSHIK	27-07-2018
CHECKED		
APPROVED	B.NATARAJA	27-07-2018
SCALE		4:1
AREA mm ²		88.4
PERIMETER mm.		136.358
WEIGHT kg/m		0.239
DRAWING No.	SECTION No.	
P-4503	-	
S1094	S1094	
22343	22343	

1. ALL DIMENSIONS ARE IN mm.
2. ROUND OFF ALL SHARP CORNERS WITH 0.40 mm.
3. TOLERANCES WILL BE AS PER IS:3965-1981 UNLESS OTHERWISE SPECIFIED

PARTY'S NAME	21st CENTURY OFFICES, BANGALORE
PARTY'S DRAWING No.	10206257
ALLOY & TEMPER	HE9 WP
DESCRIPTION	TOP TRIM-TCO-500