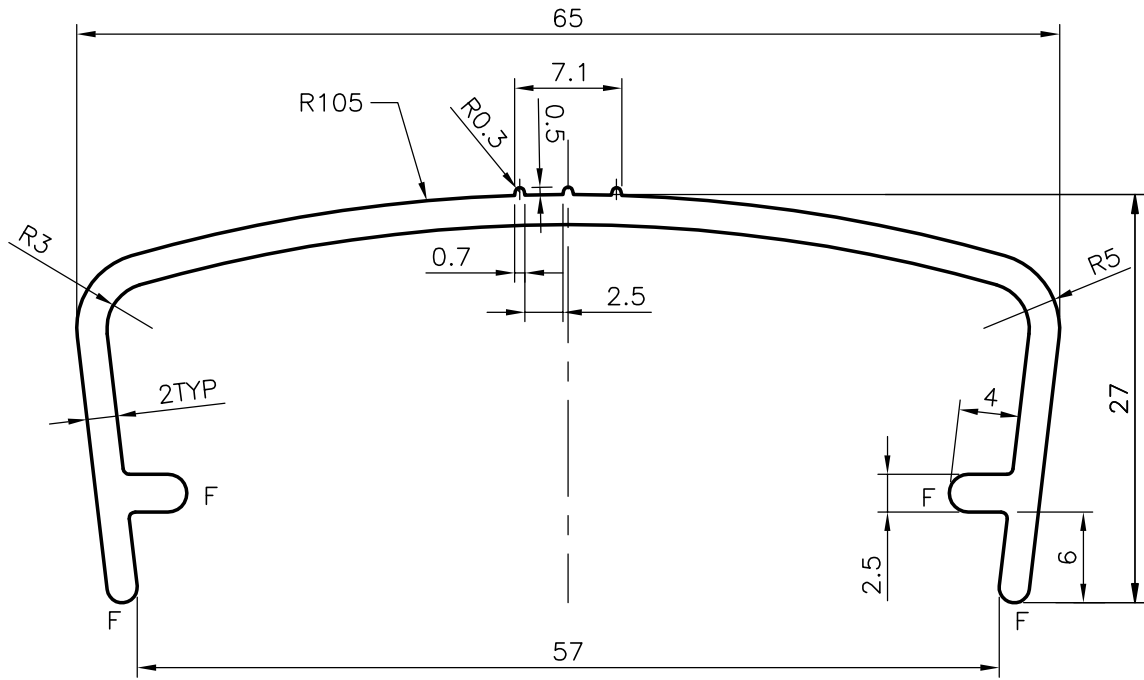
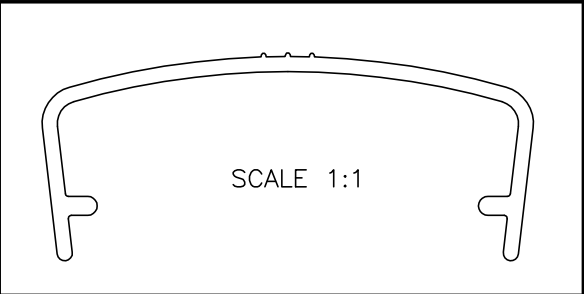



P-4809
S1210
22376



GENERAL WALL THICKNESS = 2.00mm
 F = FULL RADIUS (4 PLACES)

 SYMBOL OF QUALITY AN ISO 9002 COMPANY	JINDAL ALUMINIUM LTD. BANGALORE-560073 (INDIA)	NAME		DATE
		DRAWN	RAGHAVENDRA	22-03-2004
1. ALL DIMENSIONS ARE IN mm. 2. ROUND OFF ALL SHARP CORNERS WITH 0.40 mm. 3. TOLERANCES WILL BE AS PER IS:3965-1981 UNLESS OTHERWISE SPECIFIED		CHECKED		
		APPROVED		
PARTY'S NAME JYOTHI FIBRE GLASS SCREENS, ANANTAPUR		SCALE		2:1
		AREA mm ²		228.472
PARTY'S DRAWING No. AS PER DRAWING		PERIMETER mm.		227.057
		WEIGHT kg/m		0.617
ALLOY & TEMPER HE9 WP		DRAWING No.		SECTION No.
		P-4809		-
DESCRIPTION FURNITURE SECTION		S1210		S1210
		22376		22376