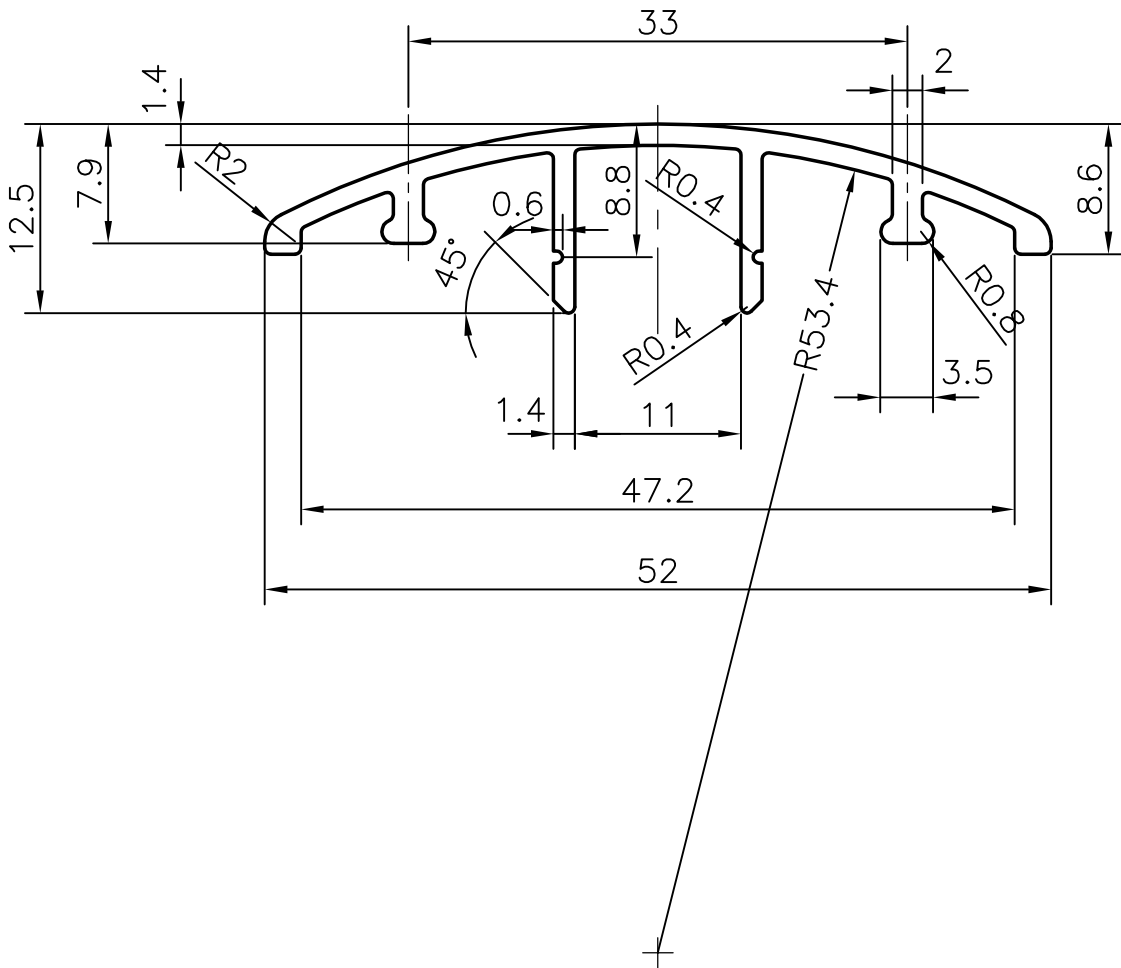
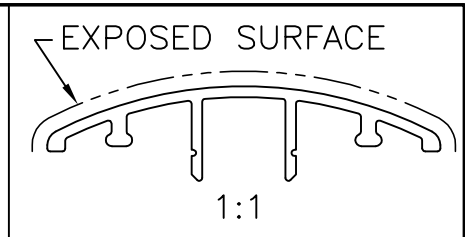


P-3882-1

X241

22380



SYMBOL OF QUALITY
AN ISO 9002 COMPANY

JINDAL ALUMINIUM LTD.
BANGALORE-560073 (INDIA)

	NAME	DATE
DRAWN	R.D.Sharma	21-06-02
CHECKED		
APPROVED		

1. ALL DIMENSIONS ARE IN mm.
2. ROUND OFF ALL SHARP CORNERS WITH 0.40 mm.
3. TOLERANCES WILL BE AS PER IS 3965-1981 UNLESS OTHERWISE SPECIFIED

SCALE	1:1 & 2:1
AREA mm ²	128.6
PERIMETER	174 mm
WEIGHT kg/m	0.347
SECTION No.	22380
DRAWING No.	22380

PARTY'S NAME	ERGO SPACES PVT. LTD., BANGALORE
PARTY'S DRAWING No.	AS-100602
ALLOY & TEMPER	HE9 WP
DESCRIPTION	FURNITURE SECTION