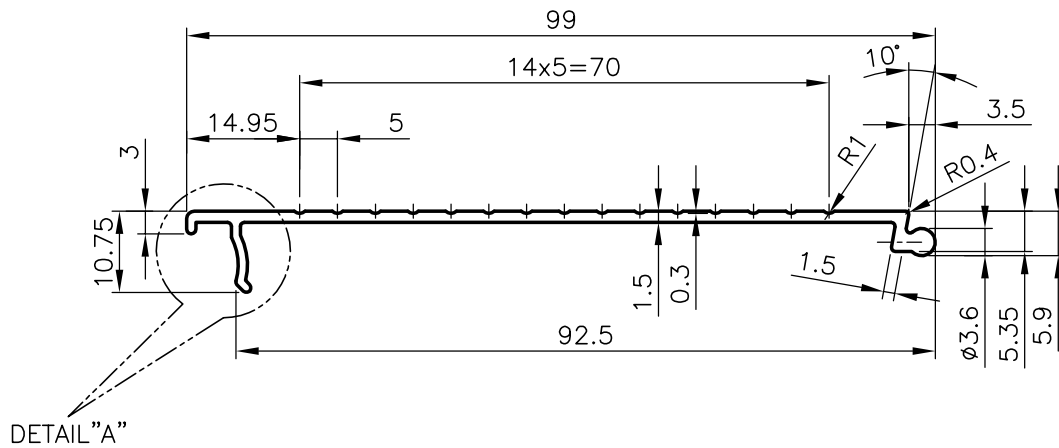
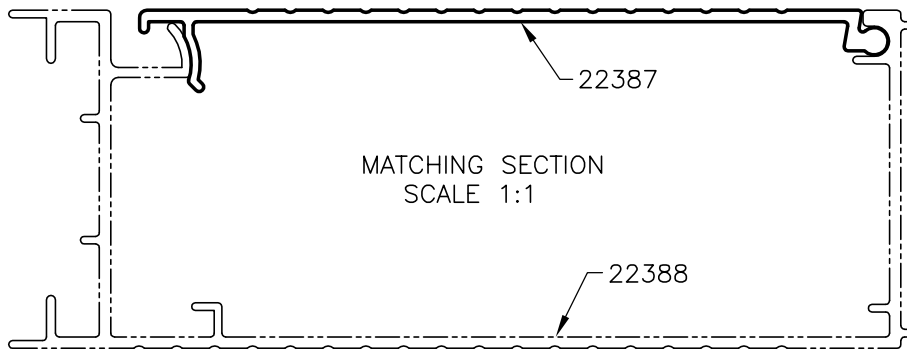
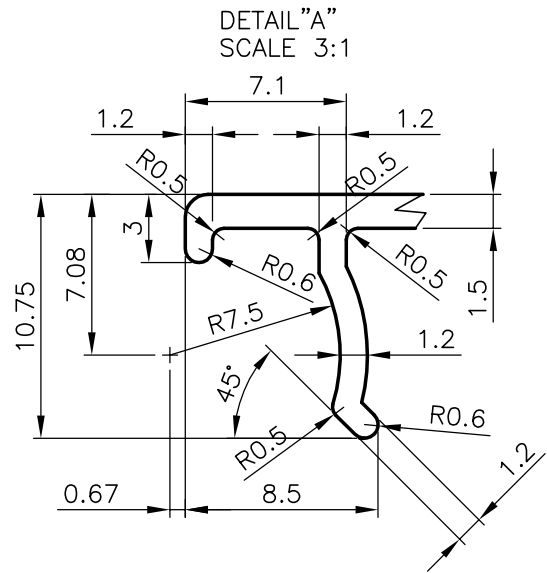



P-5253
X361
22387



 SYMBOL OF QUALITY AN ISO 9001 COMPANY	JINDAL ALUMINIUM LTD. BANGALORE-560073 (INDIA)	NAME	DATE
		DRAWN	RAGHAVENDRA 25-01-2005
		CHECKED	
		APPROVED	
1. ALL DIMENSIONS ARE IN mm. 2. ROUND OFF ALL SHARP CORNERS WITH 0.40 mm. 3. TOLERANCES WILL BE AS PER IS:3965-1981 UNLESS OTHERWISE SPECIFIED		SCALE	1:1
		AREA mm ²	169.623
		PERIMETER mm.	231.69
PARTY'S NAME	DE OFFICE FURNITURES PVT. LTD., GURGAON	WEIGHT kg/m	0.458
PARTY'S DRAWING No.	AS PER SAMPLE	DRAWING No.	SECTION No.
ALLOY & TEMPER	HE9 WP	P-5253	-
DESCRIPTION	FURNITURE SECTION	X361	X361
		22387	22387