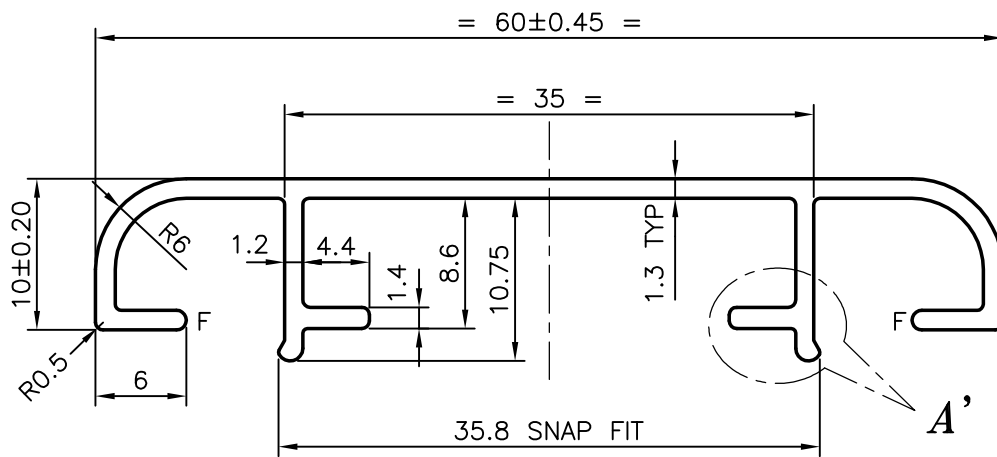
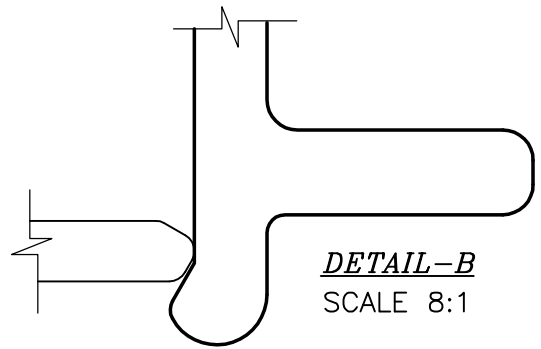
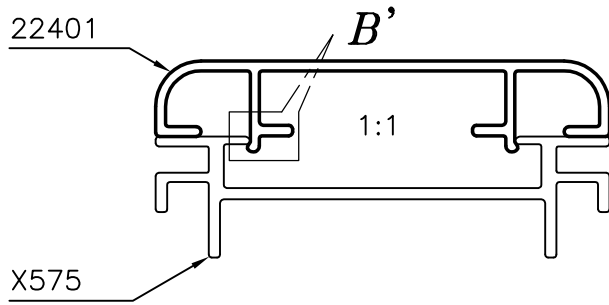
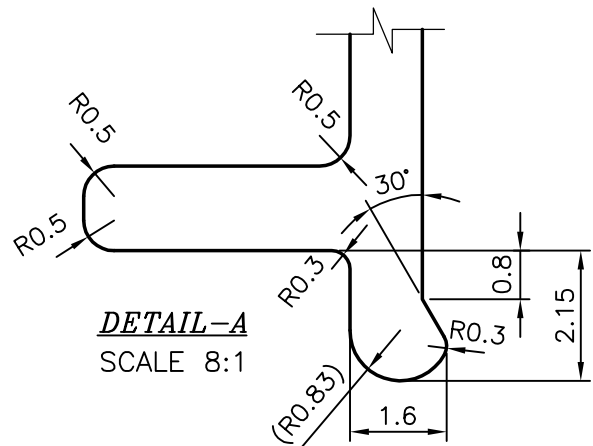


P-6308
X574
22401



UNSPECIFIED WALL THICKNESS = 1.3 mm
 F = FULL RADIUS (2 PLACES)



JINDAL ALUMINIUM LTD.
 BANGALORE-560073 (INDIA)

	NAME	DATE
DRAWN	MALINGAPPA	05-04-2006
CHECKED		
APPROVED		
SCALE	2:1	
AREA mm ²	144.943	
PERIMETER mm.	223.181	
WEIGHT kg/m	0.391	
DRAWING No.		
P-6308	-	
X574	X574	
22401	22401	

1. ALL DIMENSIONS ARE IN mm. 2. ROUND OFF ALL SHARP CORNERS WITH 0.40 mm. 3. TOLERANCES WILL BE AS PER IS:3965-1981 UNLESS OTHERWISE SPECIFIED	
PARTY'S NAME	WIPRO CONSUMER CARE & LIGHTING, BANGALORE
PARTY'S DRAWING No.	VBB D 0002
ALLOY & TEMPER	HE9 WP
DESCRIPTION	TOP TRIM (FURNITURE)