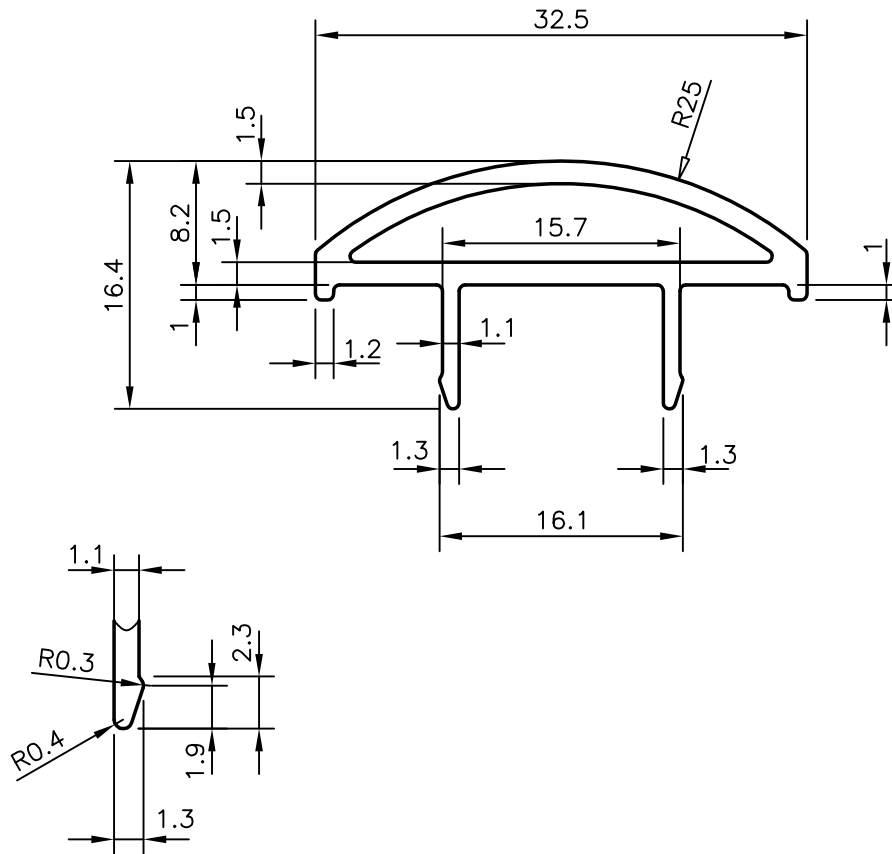
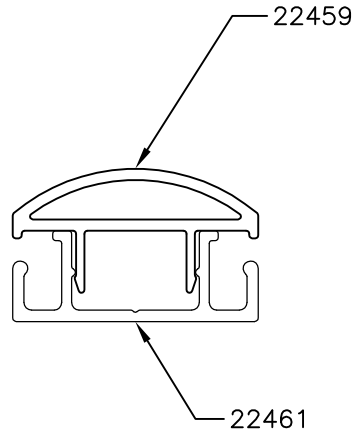
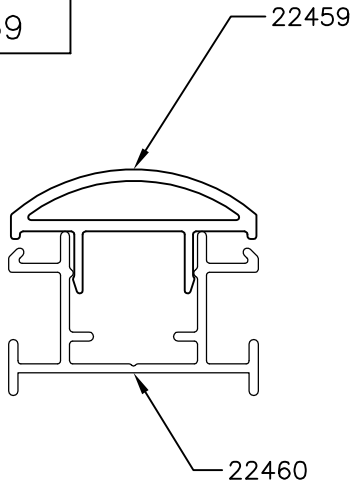
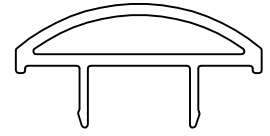


P-6637

S1846

22459



SYMBOL OF QUALITY
AN ISO 9002 COMPANY

JINDAL ALUMINIUM LTD.
BANGALORE-560073 (INDIA)

	NAME	DATE
DRAWN	J.P.KAUSHIK	29-08-2006
CHECKED		
APPROVED		
SCALE	2:1	
AREA mm ²	120.93	
PERIMETER mm.	106.281	
WEIGHT kg/m	0.327	
DRAWING No.	SECTION No.	
P-6637	-	
S1846	S1846	
22459	22459	

1. ALL DIMENSIONS ARE IN mm.
2. ROUND OFF ALL SHARP CORNERS WITH 0.40 mm.
3. TOLERANCES WILL BE AS PER IS:6477-1983 UNLESS OTHERWISE SPECIFIED

PARTY'S NAME	FORM DESIGN (INDIA) PVT. LTD., MUMBAI
PARTY'S DRAWING No.	AS PER DRAWING & SAMPLE
ALLOY & TEMPER	HE9 WP
DESCRIPTION	MISC. SECTION