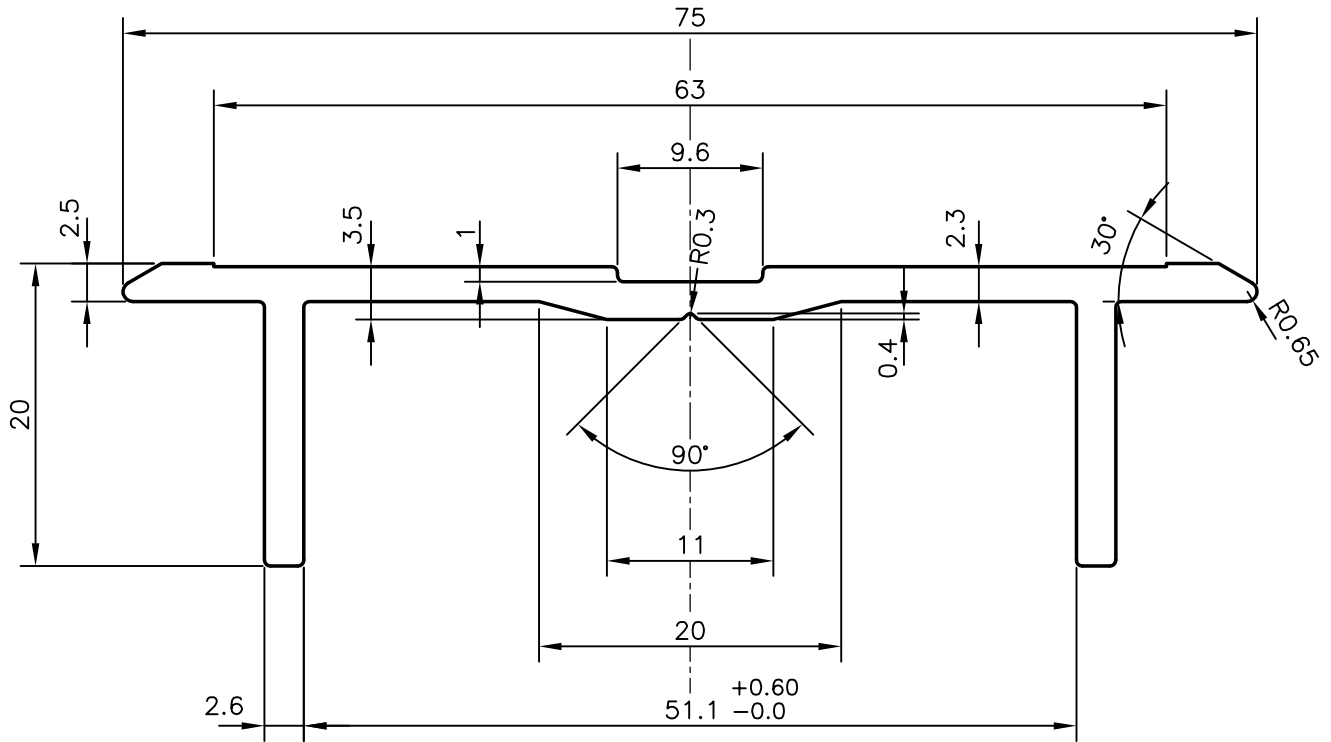
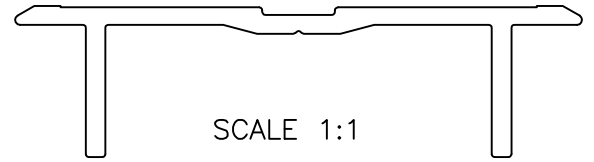
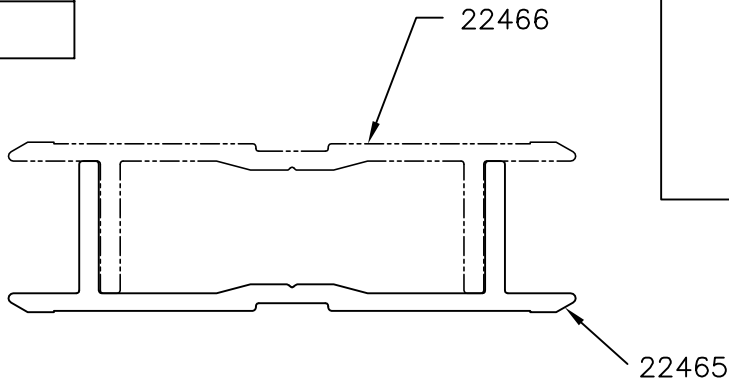


P-8840-1

22465



SYMBOL OF QUALITY  
AN ISO 9001 COMPANY

**JINDAL ALUMINIUM LTD.**  
BANGALORE-560073 (INDIA)

	NAME	DATE
DRAWN	J.P.KAUSHIK	10-12-2008
CHECKED		
APPROVED		

SCALE	2:1
AREA mm <sup>2</sup>	270.644
PERIMETER mm.	223.069
WEIGHT kg/m	0.731

DRAWING No.	SECTION No.
P-8840-1	-
22465	22465
-	-

1. ALL DIMENSIONS ARE IN mm.
2. ROUND OFF ALL SHARP CORNERS WITH 0.4 mm.
3. TOLERANCES WILL BE AS PER IS:3965-1981 UNLESS OTHERWISE SPECIFIED

PARTY'S NAME	FURNITEK, BANGALORE
PARTY'S DRAWING No.	AS PER SAMPLE
ALLOY & TEMPER	HE9 WP
DESCRIPTION	FURNITURE SECTION