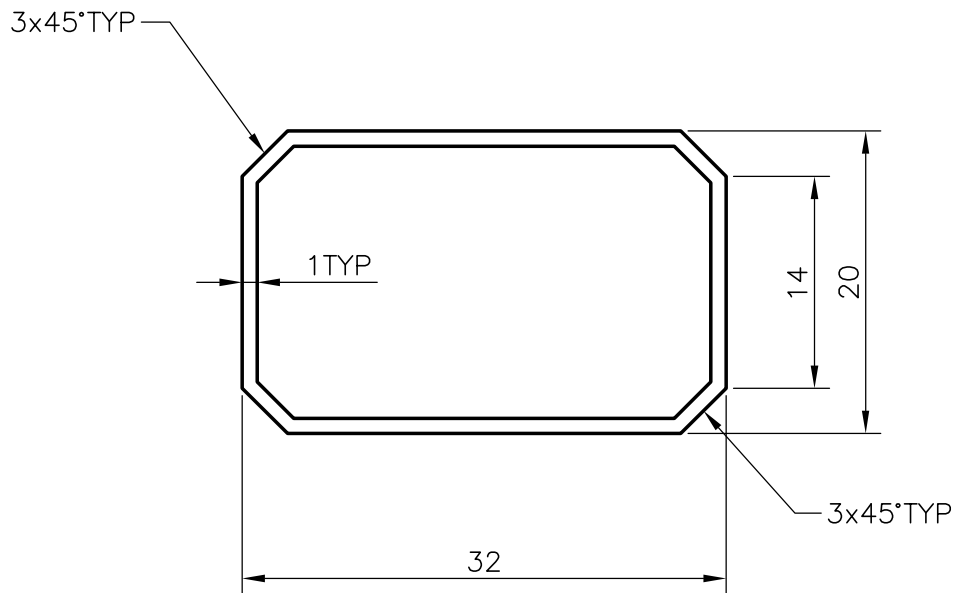


P-3543


S777

2834

22502



GENERAL WALL THICKNESS = 1mm

 SYMBOL OF QUALITY AN ISO 9002 COMPANY	JINDAL ALUMINIUM LTD. BANGALORE-560073 (INDIA)		NAME	DATE
		DRAWN	RAGHAVENDRA	25-09-01
1. ALL DIMENSIONS ARE IN mm. 2. ROUND OFF ALL SHARP CORNERS WITH 0.40 mm. 3. TOLERANCES WILL BE AS PER I.S 6477-1983 UNLESS OTHERWISE SPECIFIED		CHECKED		
		APPROVED		
PARTY'S NAME BALRAJ ENGINEERING WORKS ,. BANGALORE		SCALE		2:1 & 1:1
		WEIGHT kg/m		0.252
PARTY'S DRAWING No. AS PER SKETCH		PERIMETER		96.97mm
		SECTION No.		22502
ALLOY & TEMPER HE9 WP		DRAWING No.		22502
		DESCRIPTION		MISC TUBE