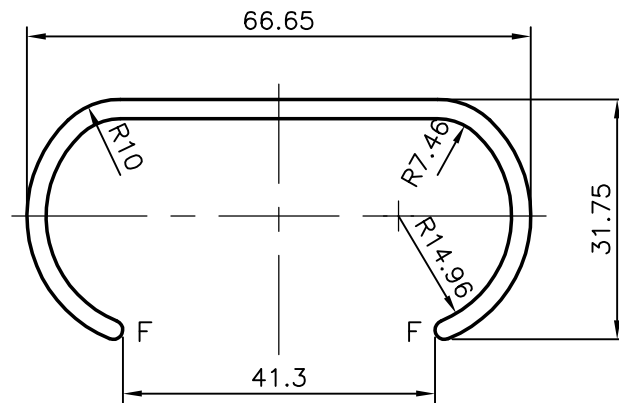


4801

22503



1. GENERAL WALL THICKNESS:- 2.54 mm.
2. F = FULL RADIUS (2)



SYMBOL OF QUALITY
AN ISO 9001 COMPANY

JINDAL ALUMINIUM LTD.
BANGALORE-560073 (INDIA)

	NAME	DATE
DRAWN	MALINGAPPA	30-06-2005
CHECKED		
APPROVED		

1. ALL DIMENSIONS ARE IN mm.
2. ROUND OFF ALL SHARP CORNERS WITH 0.40 mm.
3. TOLERANCES WILL BE AS PER IS:3965-1981 UNLESS OTHERWISE SPECIFIED

SCALE	1:1
AREA mm ²	310
PERIMETER mm.	248.1
WEIGHT kg/m	0.837

PARTY'S NAME	-	DRAWING No.	4801	4801
PARTY'S DRAWING No.	-	22503	22503	22503
ALLOY & TEMPER	HE20 WP			
DESCRIPTION	LADDER SECTION			