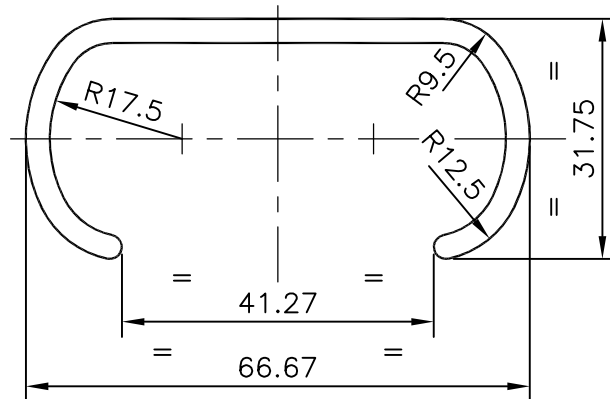


4802

22504



GENERAL WALL THICKNESS :- 3.18 mm.

**JINDAL ALUMINIUM LTD.**

**BANGALORE-560073**

NAME

DATE

DRAWN

R.D.Sharma

13-02-98

1. ALL DIMENSIONS ARE IN mm.
2. ROUND OFF ALL SHARP CORNERS WITH 0.4 mm.
3. TOLERANCES WILL BE AS PER IS: 3965-1981 ,UNLESS OTHERWISE SPECIFIED

CHECKED

APPROVED

PARTY'S NAME

—

SCALE

1:1

PARTY'S DRAWING No.

NIL

WEIGHT kg/m

1.046

ALLOY & TEMPER

HE9 WP

SECTION No.

22504

LENGTH

3658 mm.

DRAWING No.

DESCRIPTION

LADDER SECTION

22504