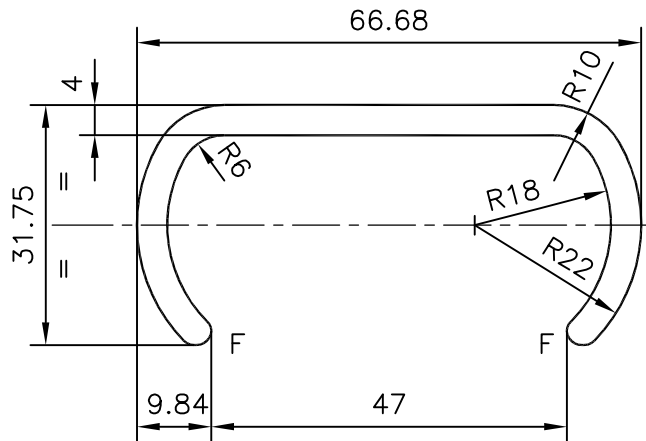


4803

22505



F = FULL RADIUS(2)

JINDAL ALUMINIUM LTD.
BANGALORE-560073

NAME

DATE

DRAWN

R.D.Sharma

26-9-95

CHECKED

APPROVED

1. ALL DIMENSIONS ARE IN mm.
2. ROUND OFF ALL SHARP CORNERS WITH 0.4 mm.
3. TOLERANCES WILL BE AS PER IS : 3965-1981
UNLESS OTHERWISE SPECIFIED

PARTY'S NAME

-

SCALE

1:1

PARTY'S DRAWING No.

-

WEIGHT kg/m

1.247

ALLOY & TEMPER

HE9 WP

SECTION No.

22505

LENGTH

3658 mm.

DRAWING No.

DESCRIPTION

LADDER SECTION

22505