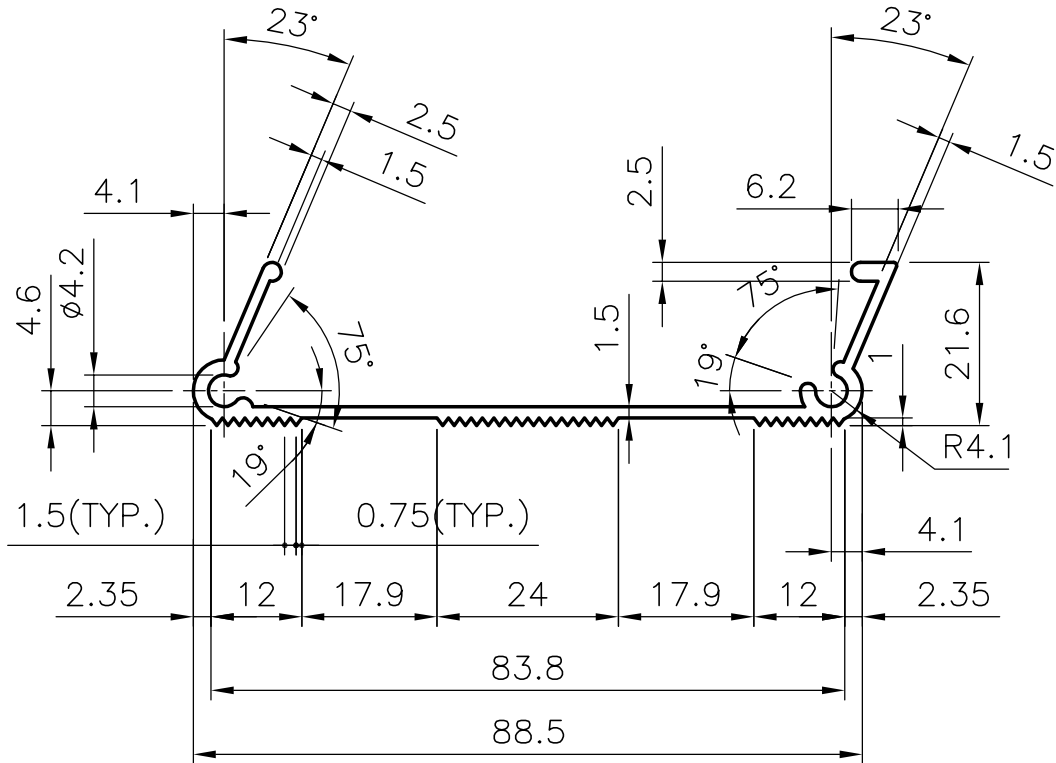


4805

22507



SYMBOL OF QUALITY
AN ISO 9002 COMPANY

JINDAL ALUMINIUM LTD.
BANGALORE-560073 (INDIA)

	NAME	DATE
DRAWN	R.D.SHARMA	26-02-82
CHECKED		26.2.82
APPROVED		30.8.94

1. ALL DIMENSIONS ARE IN mm.
2. ROUND OFF ALL SHARP CORNERS WITH 0.40 mm.
3. TOLERANCES WILL BE AS PER IS:6477-1983 UNLESS OTHERWISE SPECIFIED

SCALE	1:1
WEIGHT kg/m	0.673
SECTION No.	22507

PARTY'S NAME E.C.I.E., BANGALORE.

PARTY'S DRAWING No. -

ALLOY & TEMPER HE9 WP

DESCRIPTION LADDER SECTION

DRAWING No.

22507