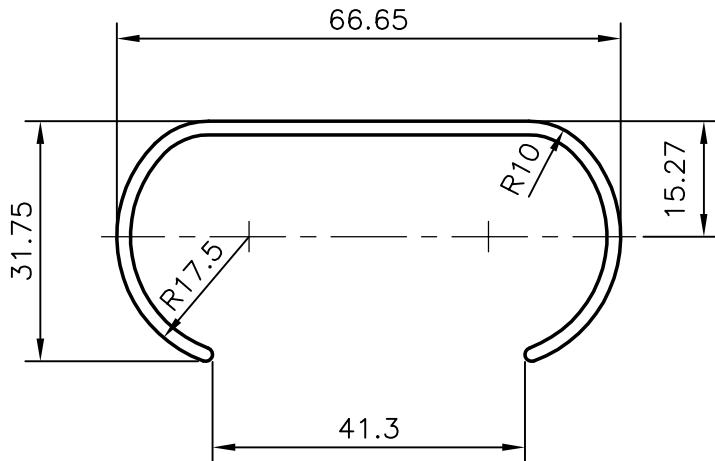


4811

22511



1. GENERAL WALL THICKNESS :- 1.81 mm.
2. NO. OF PIECES IN 100 kgs :- 45 (AVERAGE)

**JINDAL ALUMINIUM LTD.**

**BANGALORE-560073**

JINDAL ALUMINIUM LTD. BANGALORE-560073		NAME		DATE
		DRAWN	R.D.Sharma	11-02-98
1. ALL DIMENSIONS ARE IN mm. 2. ROUND OFF ALL SHARP CORNERS WITH 0.4 mm. 3. TOLERANCES WILL BE AS PER IS: 3965-1981 ,UNLESS OTHERWISE SPECIFIED		CHECKED		
		APPROVED		
PARTY'S NAME	GENERAL CATEGORY	SCALE	1:1	
PARTY'S DRAWING No.	NIL	WEIGHT kg/m	0.607	
ALLOY & TEMPER	HE9 WP	SECTION No.	22511	
LENGTH	3658 mm.	DRAWING No.		
DESCRIPTION	LADDER SECTION	22511		